

## ORDERING CODE H6CC SERIES

H6CC \* W - B14 - B08 - S1 - 00 - U - R - 00

**Series**

**M** - Mobile Application

**W** - Use for severe duty shaft only

**Cam ring for "P1" & "P2"**

Volumetric displacement cm<sup>3</sup>/rev (in<sup>3</sup>/rev)

B03/ = 10.8 (0.66)	B15/ = 50.5 (3.08)
B05/ = 17.2 (1.05)	B17/ = 58.3 (3.56)
B06/ = 21.3 (1.30)	B20/ = 63.8 (3.89)
B08/ = 26.4 (1.61)	B22/ = 70.3 (4.29)
B10/ = 34.1 (2.08)	B25/ = 79.3 (4.84)
B12/ = 37.1 (2.26)	B28/ = 88.8 (5.42)
B14/ = 46.0 (2.81)	B31/ = 100.0 (6.10)

**Type of shaft**

S1- keyed (no SAE)  
S3- splined (SAE BB)  
S5- splined (SAE B)

**W version**

S2- keyed (SAE BB)

Shaft torque limits in <sup>3</sup> /rev x psi (ml/rev x bar)	
Shaft	Vp x p max. (P1+P2)
S1	12666 (14300)
S2	18972 (21420)
S3	28937 (32670)
S5	18246 (20600)

**Mounting W/connection variables**

		P1=1" - S=3"	P1=1" - S=21"
code	Unc	00	11
	Metric	0M	W1

**Direction of rotation (view on shaft end)**

R - clockwise  
L - counter-clockwise

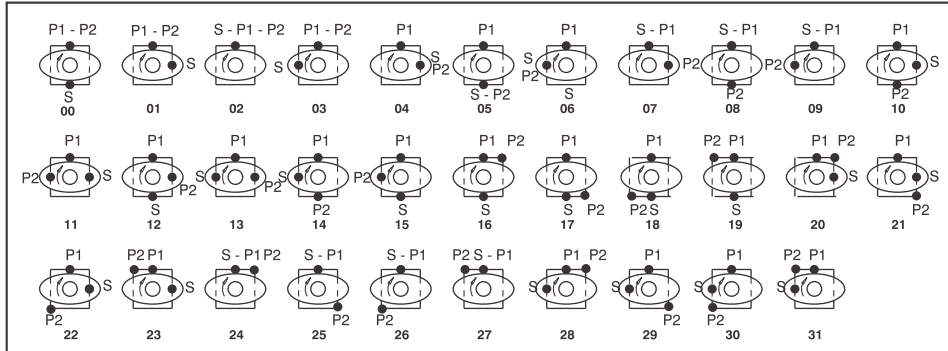
**Port Threads**

U - UNC Port Connection  
M - Metric Port Connection

**Porting combination**

00 - standard

**Porting Diagrams**



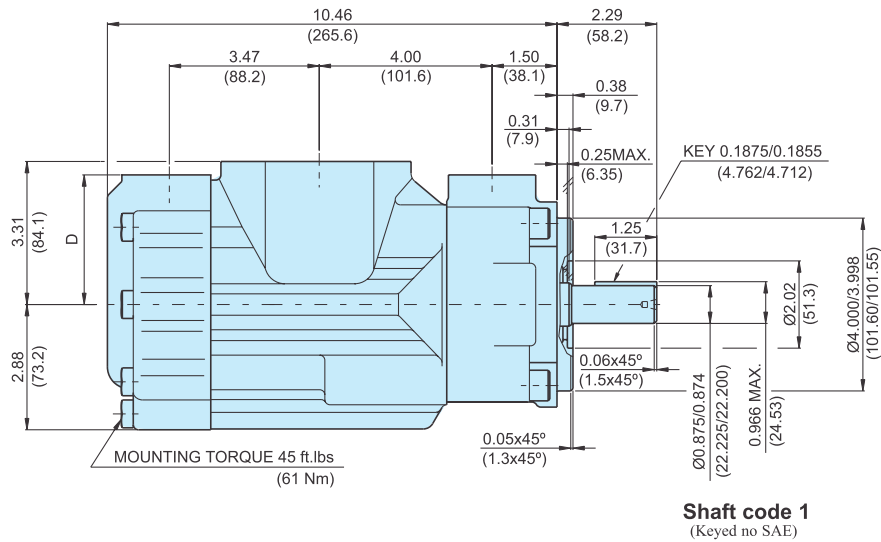
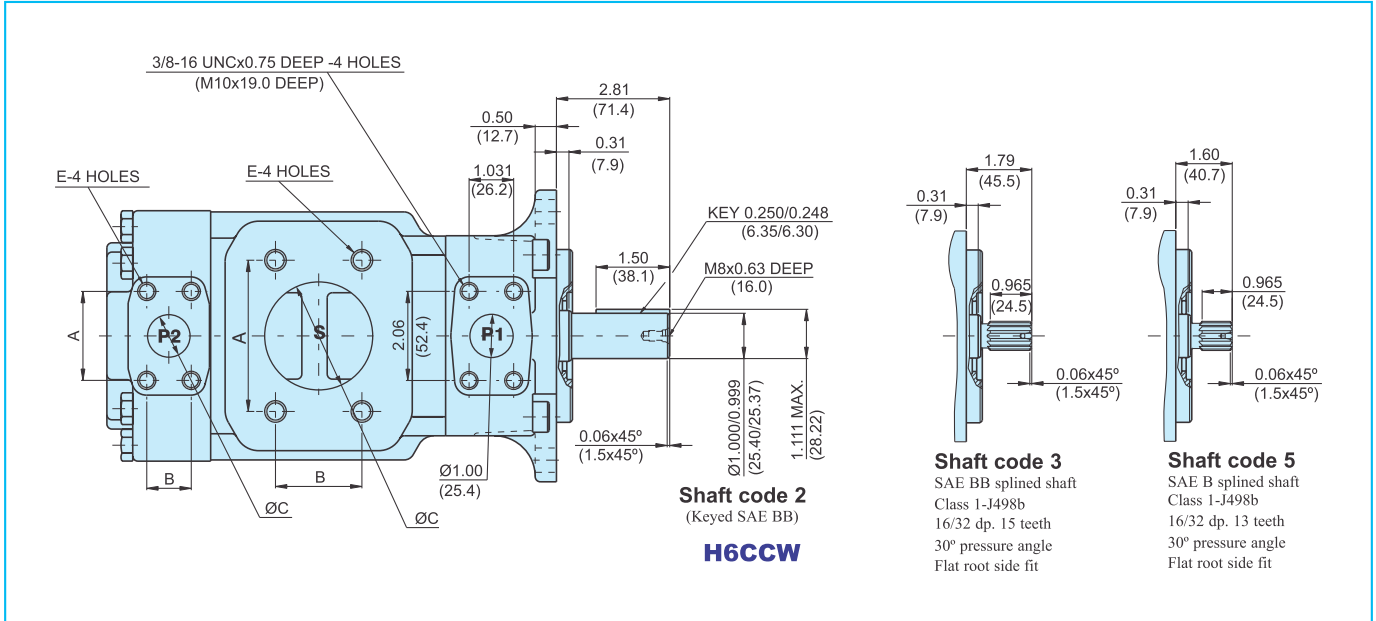
### OPERATING CHARACTERISTICS - TYPICAL (24 cST) (Input power p (KW) for one cartridge only)

Pressure port	Series	Volumetric Displacement Vp		Flow q & n = 1500 rpm						Input power r p & n = 1500 rpm					
		In <sup>3</sup> /rev	cm <sup>3</sup> /rev	p = 0 bar (0 psi)		p = 140 bar (2000 psi)		p = 240 bar (3500 psi)		p = 7 bar (100 psi)		p = 140 bar (2000 psi)		p = 240 bar (3500 psi)	
				gpm	lpm	gpm	lpm	gpm	lpm	hp	kw	hp	kw	hp	kw
P1 & P2	B03	0.66	10.8	4.29	16.2	2.96	11.2	--	--	1.74	1.3	7.11	5.3	--	--
	B05	1.05	17.2	6.83	25.8	5.50	20.8	4.57	17.3	1.88	1.4	10.06	7.5	16.36	12.2
	B06	1.30	21.3	8.44	31.9	7.11	26.9	6.19	23.4	2.01	1.5	11.94	8.9	19.71	14.7
	B08	1.61	26.4	10.48	39.6	9.15	34.6	8.22	31.1	2.15	1.6	14.35	10.7	22.93	17.7
	B10	2.08	34.1	13.52	51.1	12.19	46.1	11.26	42.6	2.28	1.7	18.64	13.4	29.90	22.3
	B12	2.26	37.1	14.71	55.6	13.36	50.6	12.46	47.1	2.28	1.7	19.31	14.4	32.32	24.1
	B14	2.81	46.0	18.25	69.0	16.93	64.0	16.00	60.5	2.55	1.9	23.60	17.6	39.56	29.5
	B15	3.08	50.5	20.00	75.6	18.73	73.2	19.02	67.5	2.68	2.0	25.61	19.1	42.91	32.0
	B17	3.56	58.3	23.12	87.4	21.79	82.4	20.87	78.9	2.82	2.1	29.37	21.9	49.48	36.9
	B20	3.89	63.8	25.32	95.7	23.99	90.7	23.07	87.2	2.95	2.2	31.92	23.8	53.91	40.2
	B22	4.29	70.3	27.88	105.4	26.56	100.4	25.63	96.9	3.08	2.3	35.00	26.1	59.14	44.1
	B25 <sup>1)</sup>	4.84	79.3	31.46	118.9	30.13	113.9	29.21	110.4	3.35	2.5	39.16	29.2	66.38	49.5
	B28 <sup>1)</sup>	5.42	88.8	35.24	133.2	33.92	128.2	--	--	3.75	2.8	43.85	32.7	--	--
	B31 <sup>1)</sup>	6.10	100.0	39.68	150.0	38.35	145.0	--	--	3.75	2.8	48.95	36.5	--	--

(1) B25-B28-B31 = 2500 RPM. max.

(2) B28-B31 = 110 bar (1600 psi) max. int.

(3) B05-B22 Peak Pressure 270 bar



PORT	A	B	C	D	E
S	4.19 (106.4)	2.44 (61.9)	3.00 (76.2)		5/8-11UNCx1.12 DEEP (M16x28.4 DEEP)
S	3.50 (88.9)	2.00 (50.8)	2.50 (63.5)		1/2-13UNCx0.94 DEEP M12x24.0 DEEP
P2	1.874 (47.6)	0.874 (22.2)	0.75 (19.0)	3.00 (76.2)	3/8-16UNCx0.75 DEEP (M10x19.0 DEEP)
P2	2.06 (52.4)	1.03 (26.2)	1.00 (25.4)	2.94 (74.7)	

