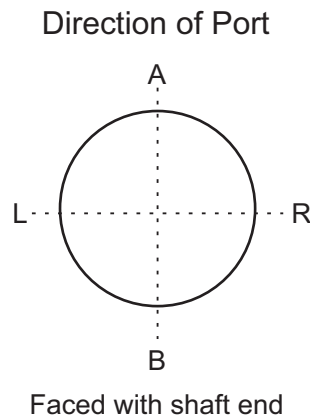
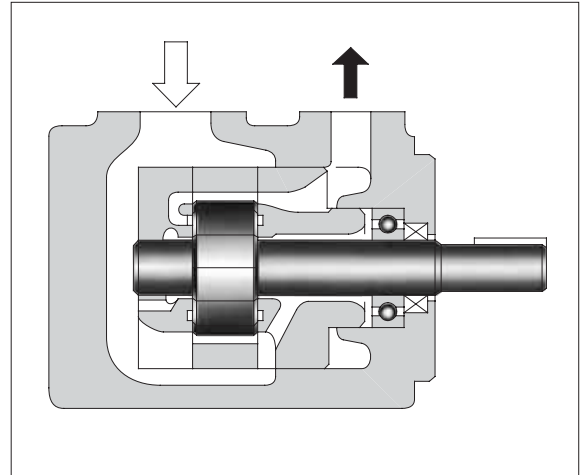


H-VP Series High Performance Low noise vane pumps

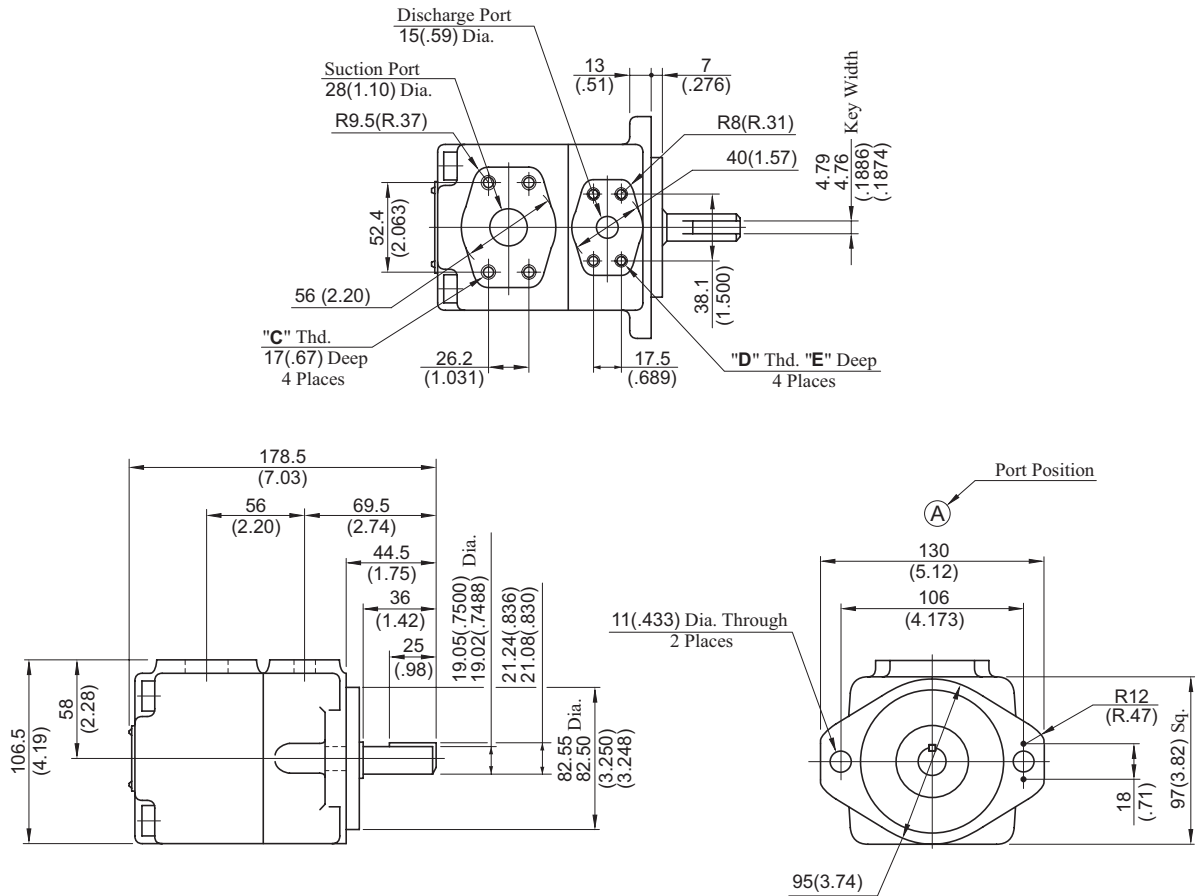
SINGLE PUMPS



ORDERING CODE

H-VP10	-6	A	A	-R	70 / 71	*
Series Number	Nominal Displacement cm ³ / rev	Discharge Port Position	Suction Port Position	Shaft Rotation	Design Number	Modifications
H-VP10	4, 6, 8, 10, 12 14, 17, 19 23, 25, 28, 31	(Viewed from Shaft End) A: Upwards (Normal)	A: Upwards (Normal)	R: Clockwise (Normal)	71	
H-VP20	23, 26, 33, 36, 41 47, 53, 59, 65, 75			L: Anticlockwise	70	
H-VP30	52, 60, 66, 76, 94, 116, 125, 136, 153			70		

H-VP10 (Flange Mount)



Model Numbers	"C" Thd.	"D" Thd.	E mm (Inches)
H-VP10 (Flange Mount)	M-10	M-8	14 (.55)

Model Numbers	Approx. Weight (kg)
H-VP10	8.0

Specifications

Model Numbers	Nominal Displacement cm ³ /rev	Max. Operating Pressure MPa (PSI)						Shaft Speed Range r/min	
		Petroleum Base Oils		Water Containing Fluids			Synthetic Fluids	Max.	Min.
		Anti-Wear Type	R & O Type	Anti-Wear Type Water Glycols	Water Glycols	Water in Oil Emulsions	Phosphate Esters		
4	4.3	21 (3050)	16 (2320)	16 (2320)	7 (1020)	7 (1020)	16 (2320)	1800 (1200)	750
6	5.8								
8	8.0								
10	9.4								
12	12.2								
14	13.7								
17	16.6	16 (2320)	16 (2320)	7 (1020)	7 (1020)	16 (2320)	1800 (1200)	750	
19	18.6								
23	22.7								
25	25.3	16 (2320)	16 (2320)	7 (1020)	7 (1020)	16 (2320)	1800 (1200)	750	
28	29.6								
31	31.0								