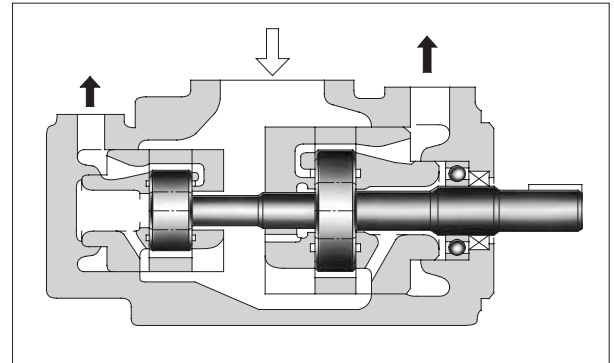
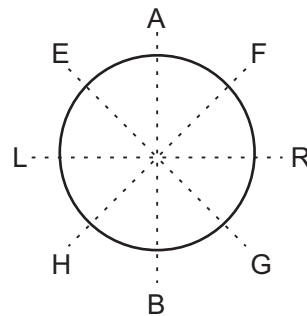


# H-VP Series High Performance Low noise vane pumps

## DOUBLE PUMPS



Direction of Port

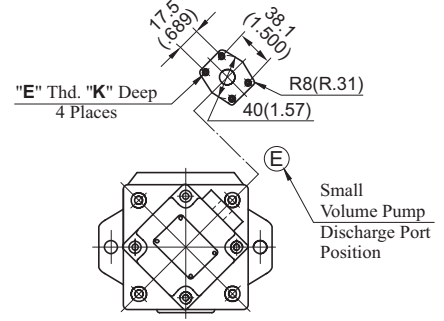
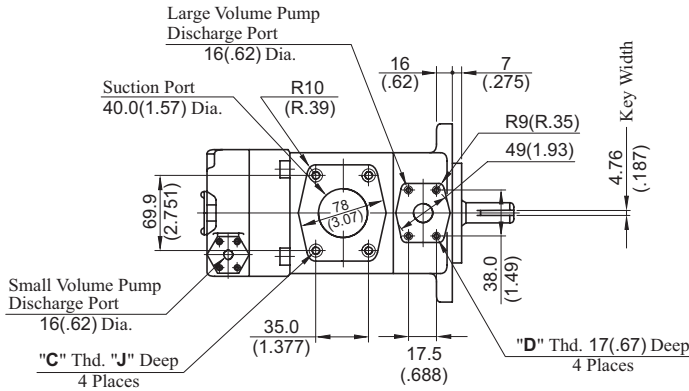


Faced with shaft end

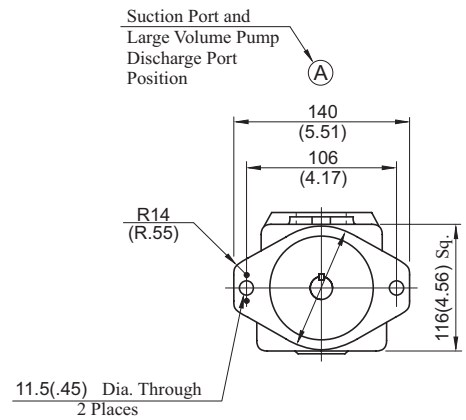
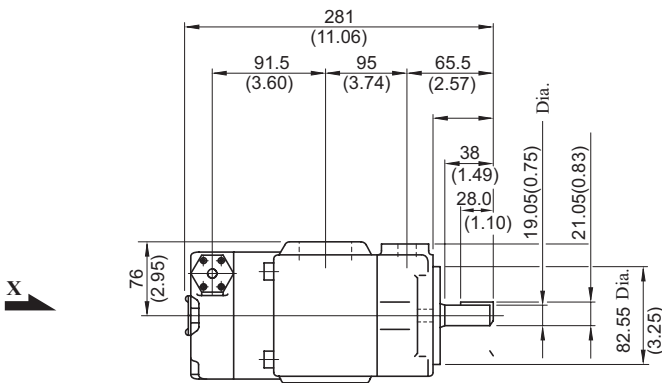
### ORDERING CODE

H-VP1020	-6	-65	A	A	A	-R	-70	*
Series Number	Small Volume Pump Nominal Displacement cm <sup>3</sup> /rev	Large Volume Pump Nominal Displacement cm <sup>3</sup> /rev	Small Volume Pump Discharge Port Position	Large Volume Pump Discharge Port Position	Suction Port Position	Direction of Rotation	Design Number	Modifications
H-VP1010	4, 6, 8, 10 12, 14, 17, 19 23, 25, 28, 31	4, 6, 8, 10 12, 14, 17, 19 23, 25, 28, 31	E: Left <sup>45</sup> Upwards (Normal)	(Viewed from Shaft End)	A: Upwards (Normal)	R: Clockwise (Normal)	70	
H-VP1020	4, 6, 8, 10 12, 14, 17, 19 23, 25, 28, 31	23, 26, 33, 36 41, 47, 53, 59 65, 75	E: Left <sup>45</sup> Upwards (Normal)				70	
H-VP1030	4, 6, 8, 10 12, 14, 17, 19 23, 25, 28, 31	52, 60, 66, 76 94, 116, 125 136, 153	A: Upwards (Normal)				70	
H-VP2030	23, 26, 33 36, 41, 47 53, 59 65	52, 60, 66 76, 94 116, 125 136, 153	E: Left <sup>45</sup> Upwards (Normal)				70	
						L: Anti Clockwise		

# H-VP1010 (Flange Mount)



View Arrow X



Model Numbers	"C" Thd.	"D" Thd.	"E" Thd.	Dimensions mm (Inches)	
				J	K
H-VP1010 (Flange Mount)	M-10	M-8	M-8	19 (.75)	14 (.55)

Model Numbers	Approx. Weight (kg)
H-VP1010	18.5

## Specifications

Model Numbers	Nominal Displacement cm <sup>3</sup> /rev	Max. Operating Pressure MPa (PSI)					
		Petroleum Base Oils		Water Containing Fluids			Synthetic Fluids
		Anti-Wear Type	R & O Type	Anti-Wear Type Water Glycols	Water Glycols	Water in Oil Emulsions	Phosphate Esters
4	4.3	21 (3050)	16 (2320)	16 (2320)	7 (1020)	7 (1020)	16 (2320)
6	5.8						
8	8.0						
10	9.4						
12	12.2						
14	13.7						
17	16.6						
19	18.6	16 (2320)					
23	22.7						
25	25.3						
28	29.6						
31	31.0						