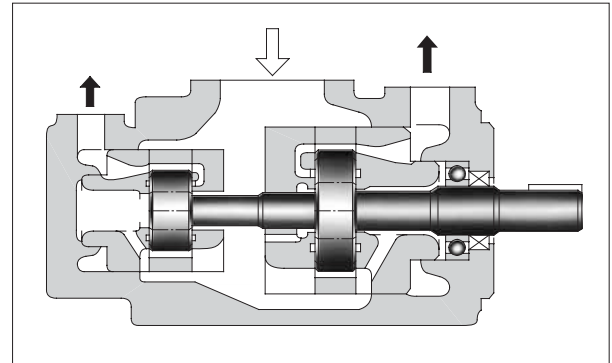
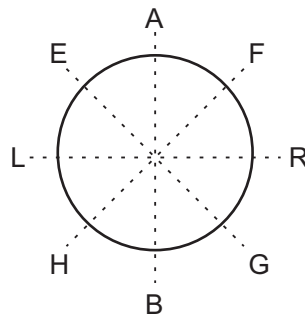


H-VP Series High Performance Low noise vane pumps

DOUBLE PUMPS



Direction of Port

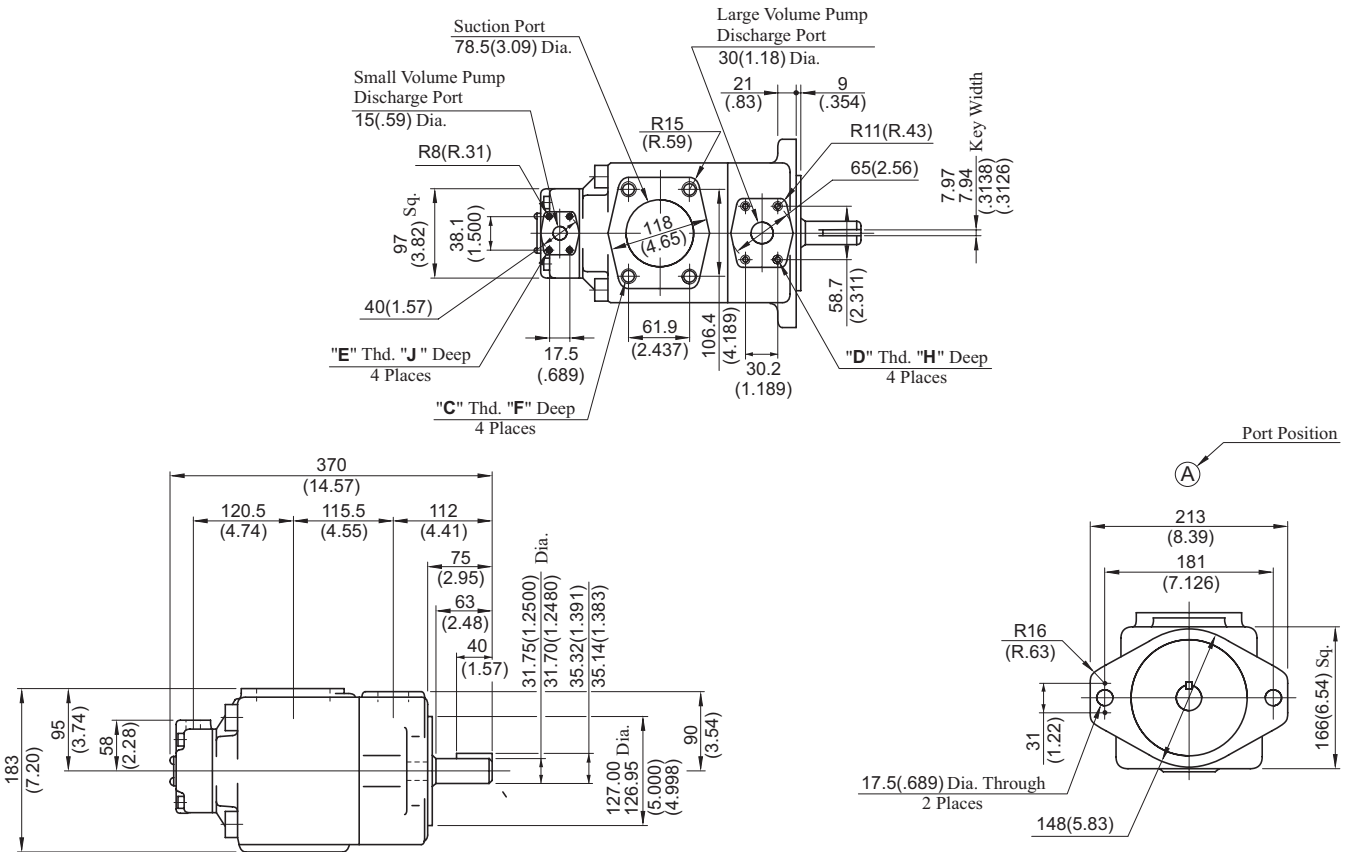


Faced with shaft end

ORDERING CODE

H-VP1020	-6	-65	A	A	A	-R	-70	*	
Series Number	Small Volume Pump Nominal Displacement cm ³ /rev	Large Volume Pump Nominal Displacement cm ³ /rev	Small Volume Pump Discharge Port Position	Large Volume Pump Discharge Port Position	Suction Port Position	Direction of Rotation	Design Number	Modifications	
H-VP1020	4, 6, 8 10, 12 14, 17 19, 23 25, 28, 31	23, 26, 33 36, 41, 47 53, 59 65, 75	(Viewed from Shaft End) E: Left 45 Upwards (Normal)	A: Upwards (Normal)	A: Upwards (Normal)	R: Clockwise (Normal)	70		
H-VP1030	4, 6, 8 10, 12 14, 17 19, 23 25, 28, 31	52, 60, 66 76, 94 116, 125 136, 153					A: Upwards (Normal)		70
H-VP2030	23, 26, 33 36, 41, 47 53, 59 65	52, 60, 66 76, 94 116, 125 136, 153					E: Left 45 Upwards (Normal)		L: Anti Clockwise

H-VP1030 (Flange Mount)



Model Numbers	"C" Thd.	"D" Thd.	"E" Thd.	Dimensions mm (Inches)		
				F	H	J
H-VP1030 (Flange Mount)	M16	M10	M8	19 (.75)	19 (.75)	14 (.55)

Model Numbers	Approx. Weight (kg)
H-VP1030	45.7

Specifications

Model Numbers	Nominal Displacement cm ³ /rev	Max. Operating Pressure MPa (PSI)											
		Petroleum Base Oils		Water Containing Fluids			Synthetic Fluids						
		Anti-Wear Type	R & O Type	Anti-Wear Type Water Glycols	Water Glycols	Water in Oil Emulsions	Phosphate Esters						
4	4.3	21 (3050)	16 (2320)	16 (2320)	7 (1020)	7 (1020)	16 (2320)						
6	5.8												
8	8.0												
10	9.4												
12	12.2												
14	13.7												
17	16.6												
19	18.6												
23	22.7												
25	25.3							16 (2320)					
28	29.6												
31	31.0	21 (3050)	14 (2030)	16 (2320)	7 (1020)	7 (1020)	14 (2030)						
52	51.5												
60	63.7												
66	66.6												
76	75.5												
94	89.5												
116	118												
125	122.2							16 (2320)					
136	136												
153	153												