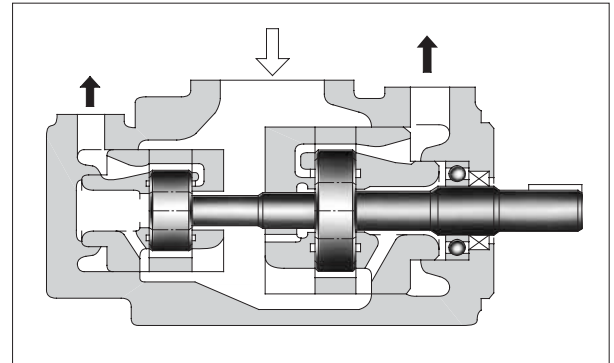
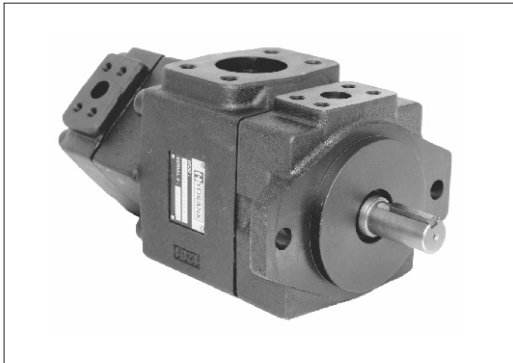
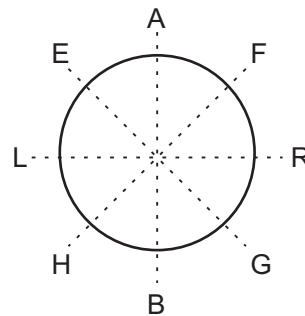


H-VP Series High Performance Low noise vane pumps

DOUBLE PUMPS



Direction of Port

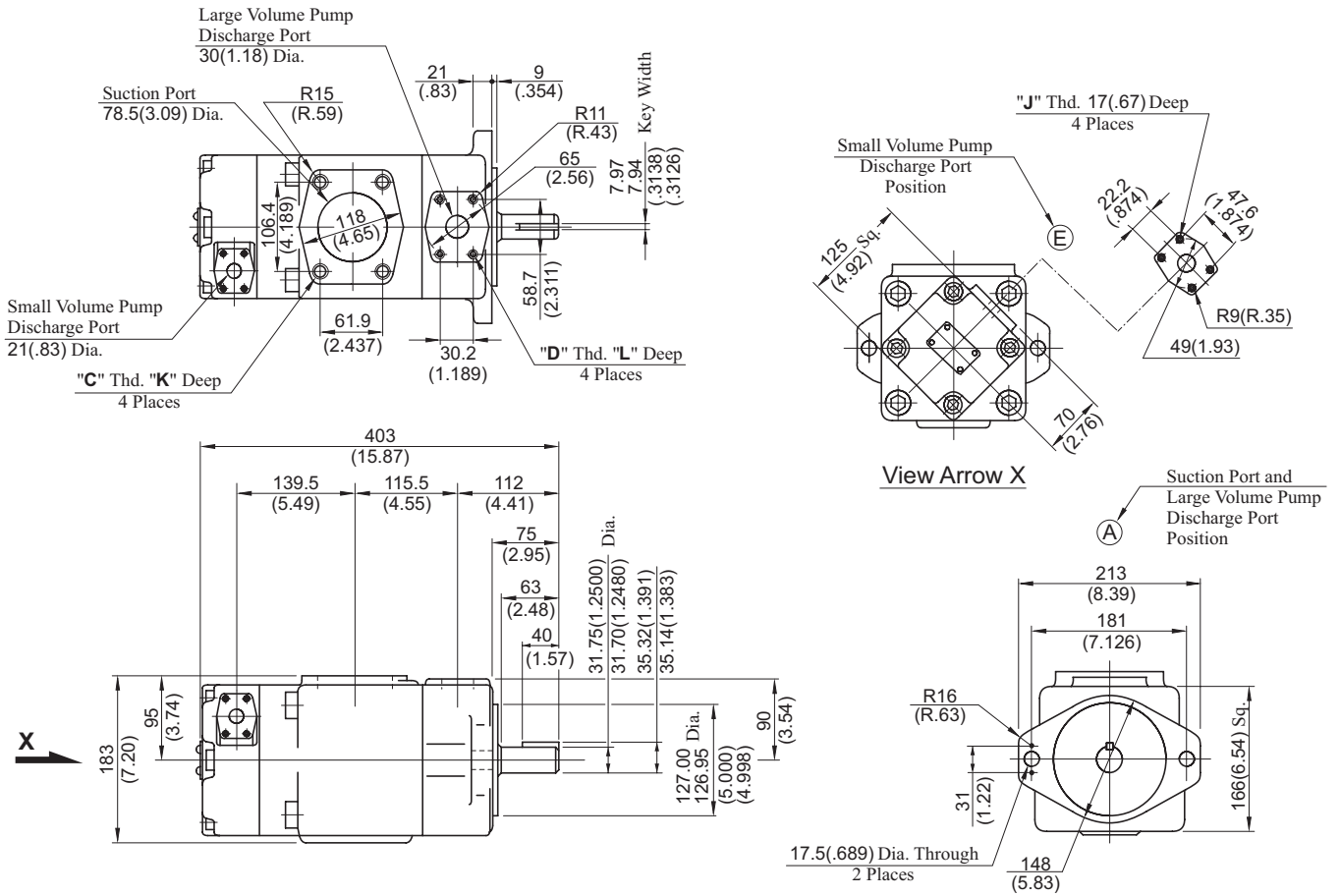


Faced with shaft end

ORDERING CODE

H-VP1020	-6	-65	A	A	A	-R	-70	*	
Series Number	Small Volume Pump Nominal Displacement cm ³ /rev	Large Volume Pump Nominal Displacement cm ³ /rev	Small Volume Pump Discharge Port Position	Large Volume Pump Discharge Port Position	Suction Port Position	Direction of Rotation	Design Number	Modifications	
H-VP1020	4, 6, 8 10, 12 14, 17 19, 23 25, 28, 31	23, 26, 33 36, 41, 47 53, 59 65, 75	(Viewed from Shaft End) E: Left 45 Upwards (Normal)	A: Upwards (Normal)	A: Upwards (Normal)	R: Clockwise (Normal)	70		
H-VP1030	4, 6, 8 10, 12 14, 17 19, 23 25, 28, 31	52, 60, 66 76, 94 116, 125 136, 153					A: Upwards (Normal)		70
H-VP2030	23, 26, 33 36, 41, 47 53, 59 65	52, 60, 66 76, 94 116, 125 136, 153					E: Left 45 Upwards (Normal)		L: Anti Clockwise

H-VP2030 (Flange Mount)



Model Numbers	"C" Thd.	"D" Thd.	"E" Thd.	Dimensions mm (Inches)	
				K	L
H-VP2030 (Flange Mount)	M16	M10	M10	19 (.75)	19 (.75)

Model Numbers	Approx. Weight (kg)
H-VP2030	51.1

Specifications

Model Numbers	Nominal Displacement cm ³ /rev	Max. Operating Pressure MPa (PSI)					
		Petroleum Base Oils		Water Containing Fluids			Synthetic Fluids
		Anti-Wear Type	R & O Type	Anti-Wear Type Water Glycols	Water Glycols	Water in Oil Emulsions	Phosphate Esters
23	22.7	21 (3050)	14 (2030)	16 (2320)	7 (1020)	7 (1020)	14 (2030)
26	25.3						
33	32.3						
36	35.6						
41	39.8						
47	49.8						
53	51.5						
59	55.8	21 (3050)	14 (2030)	16 (2320)	7 (1020)	7 (1020)	14 (2030)
65	63.7						
52	51.5						
60	63.7						
66	66.6						
76	75.5						
94	89.5						
116	118	16 (2320)					
125	122.2						
136	136						
153	153						