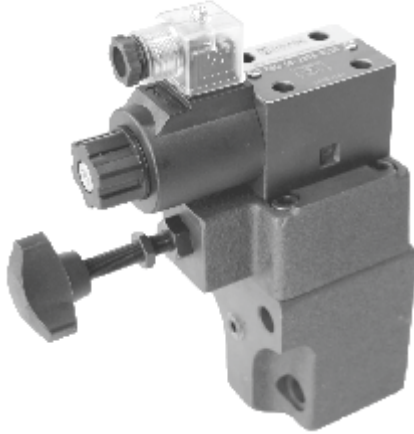


# “BSG” Series Solenoid Operated Relief Valves

BSG series solenoid operated relief valves are can be used to control and unload system pressure and make hydraulic system controlled by two stage.



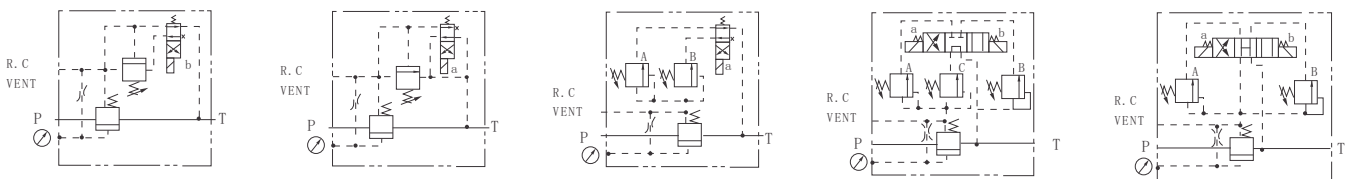
## Technical specification

Model		BSG-03	BSG-06
Max.flow rate (l/min)		100	200
Working pressure (MPa)		25	
Weight(kgs)	1PN/1NP	7.5	8
	2P	—	10
	2NP/3P	—	12

## Ordering details

BS	G	03	2B3B	1	A240	10
Sort	Mounting type	Nominal size	Normal state	Pressure adjustment range	Input voltage	Connector type
Solenoid operated relief valves	Subplate mounting	03:NG10 06:NG20	2B3A 2B3B 2B2B 2B2 3C2 3C3	1:2~70bar 2:35~140bar 3:70~250bar	D12:DC12 D24:DC24 A240:AC240 A220:AC220 A110:AC110 R240R:RAC240 R220R:RAC220 R110R:RAC110	10: Wire box with light 20: Plug-in connector with light

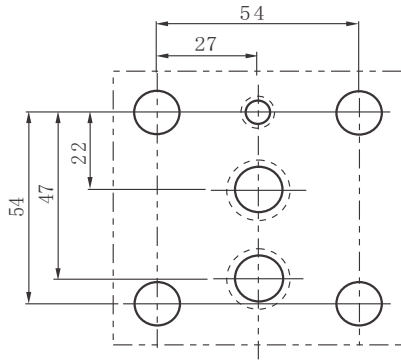
## Symbol



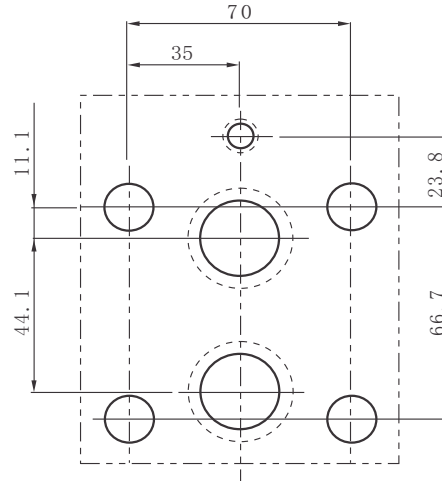
Mounting size

Unit: mm

BSG-03



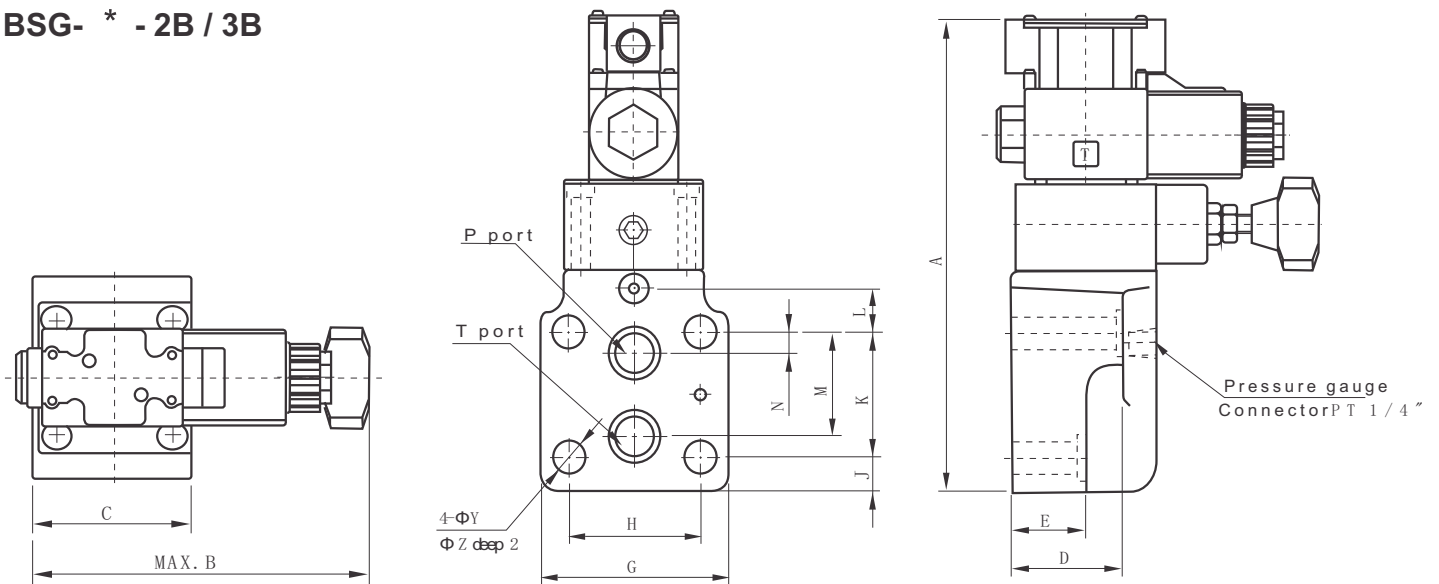
BSG-06



Dimensions

Unit: mm

BSG- \* - 2B / 3B



Model	A	B	C	D	E	G	H	J	K	L	M	N	Y	Z
BSG-G03-1PN/1NP-**	228.5	175	78	78	57	82	53.8	21.5	53.8	0	47.5	22	13.5	21
BSG-G06-1PN/1NP- **	254	175	78	60	40	102	70	19	66.7	23.8	55.5	11	17.5	26