



SARVA HYDRAULIK LLC

ORDERING CODE - S6C SERIES

S6C * - B14 - 1 L 00 - S 1

Series —————

***Y** - Metric port connection, Omit for UNC

Cam ring —————

Volumetric displacement cm³/rev (in³/rev)

B03 = 10.8 (0.66)	B15 = 50.5 (3.08)
B05 = 17.2 (1.05)	B17 = 58.3 (3.56)
B06 = 21.3 (1.30)	B20 = 63.8 (3.89)
B08 = 26.4 (1.61)	B22 = 70.3 (4.29)
B10 = 34.1 (2.08)	B25 = 79.3 (4.84)
B12 = 37.1 (2.26)	B28 = 88.8 (5.42)
B14 = 46.0 (2.81)	B31 = 100.0 (6.10)

Type of shaft —————

1 - keyed (SAE B)
 2 - keyed (no SAE)
 3 - splined (SAE B)
 4 - splined (SAE BB)

Seal class

1 - S1 (for mineral oil)
 4 - S4 (for fire resistant fluids)
 5 - S5 (for mineral oil and fire resistant fluids)

Design letter

Porting combination

00 - standard

00

01

02

03

Direction of rotation (view on shaft end)

R - clockwise
 L - counter-clockwise

OPERATING CHARACTERISTICS - TYPICAL (24 cST)

Pressure port	Series	Volumetric Displacement Vp		Flow q & n = 1500 rpm						Input power r p & n = 1500 rpm					
		in ³ /rev	cm ³ /rev	p = 0 bar (0 psi)		p = 140 bar (2000 psi)		p = 240 bar (3500 psi)		p = 7 bar (100 psi)		p = 140 bar (2000 psi)		p = 240 bar (3500 psi)	
				gpm	lpm	gpm	lpm	gpm	lpm	hp	kw	hp	kw	hp	kw
S6C	B03	0.66	10.8	4.29	16.2	2.96	11.2	2.04	7.7	1.74	1.3	7.11	5.3	11.26	8.4
	B05	1.05	17.2	6.83	25.8	5.50	20.8	4.57	17.3	1.88	1.4	10.06	7.5	16.36	12.2
	B06	1.30	21.3	8.44	31.9	7.11	26.9	6.19	23.4	2.01	1.5	11.94	8.9	19.71	14.7
	B08	1.61	26.4	10.48	39.6	9.15	34.6	8.22	31.1	2.15	1.6	14.35	10.7	22.93	17.7
	B10	2.08	34.1	13.52	51.1	12.19	46.1	11.26	42.6	2.28	1.7	18.64	13.4	29.90	22.3
	B12	2.26	37.1	14.71	55.6	13.36	50.6	12.46	47.1	2.28	1.7	19.31	14.4	32.32	24.1
	B14	2.81	46.0	18.25	69.0	16.93	64.0	16.00	60.5	2.55	1.9	23.60	17.6	39.56	29.5
	B15	3.08	50.5	20.00	75.6	18.73	73.2	19.02	67.5	2.68	2.0	25.61	19.1	42.91	32.0
	B17	3.56	58.3	23.12	87.4	21.79	82.4	20.87	78.9	2.82	2.1	29.37	21.9	49.48	36.9
	B20	3.89	63.8	25.32	95.7	23.99	90.7	23.07	87.2	2.95	2.2	31.92	23.8	53.91	40.2
	B22	4.29	70.3	27.88	105.4	26.56	100.4	25.63	96.9	3.08	2.3	35.00	26.1	59.14	44.1
	B25 ⁽¹⁾	4.84	79.3	31.46	118.9	30.13	113.9	29.21	110.4	3.35	2.5	39.16	29.2	66.38	49.5
	B28 ⁽¹⁾	5.42	88.8	35.24	133.2	33.92	128.2	--	--	3.75	2.8	43.85	32.7	--	--
B31 ⁽¹⁾	6.10	100.0	39.68	150.0	38.35	145.0	--	--	3.75	2.8	48.95	36.5	--	--	

(1) B25-B28-B31 = 2500 RPM. max.

(2) B28-B31 = 210 bar (3000 psi) max int..

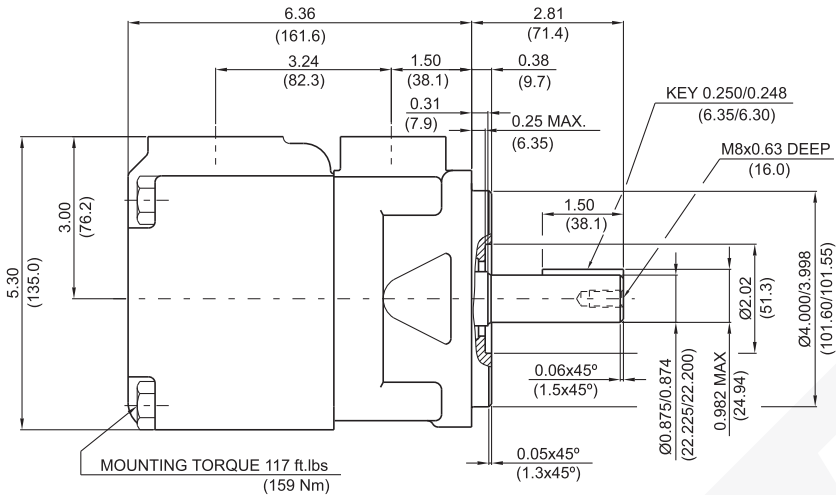
B05-B22 Peak Pressure 300 bar



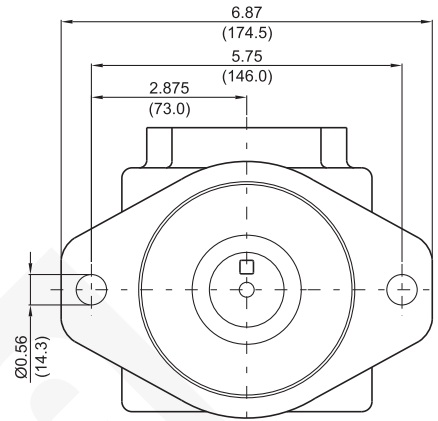
SARVA HYDRAULIK LLC

DIMENSIONS - S6C SERIES

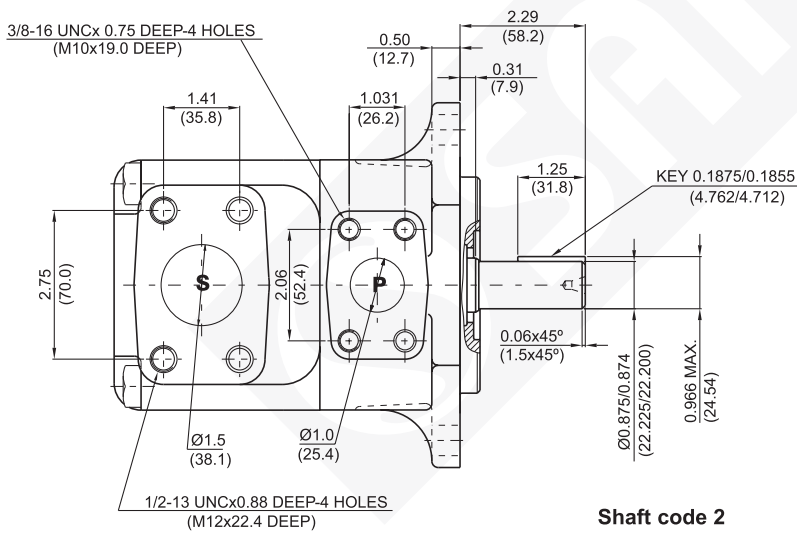
WEIGHT : 15.5 Kg.



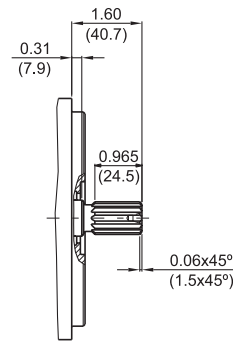
MOUNTING TORQUE 117 ft.lbs
(159 Nm)



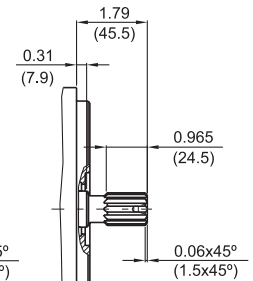
Shaft code 1
(Keyed SAE B)



Shaft code 2
(Keyed no SAE)



Shaft code 3
SAE B splined shaft
Class 1-J498b
16/32 dp. 13 teeth
30° pressure angle
flat root side fit



Shaft code 4
SAE BB splined shaft
Class 1-J498b
16/32 dp. 15 teeth
30° pressure angle
flat root side fit

Shaft torque limits in ³ /rev x psi (ml/rev x bar)	
Shaft	V _p x p max.
1	14473 (16500)
2	12666 (14300)
3	18246 (20600)
4	19309 (21821)