



SARVA HYDRAULIK LLC

ORDERING CODE - S6CC SERIES

S6CC **W** - **B17** - **B10** - **1** **R** **00** - **S** **1** - **00**

Series _____

Use for severe duty shaft only _____

Cam ring for "P1" & "P2" _____

Volumetric displacement cm³/rev (in³/rev)

B03/ = 10.8 (0.66)	B15/ = 50.5 (3.08)
B05/ = 17.2 (1.05)	B17/ = 58.3 (3.56)
B06/ = 21.3 (1.30)	B20/ = 63.8 (3.89)
B08/ = 26.4 (1.61)	B22/ = 70.3 (4.29)
B10/ = 34.1 (2.08)	B25/ = 79.3 (4.84)
B12/ = 37.1 (2.26)	B28/ = 88.8 (5.42)
B14/ = 46.0 (2.81)	B31/ = 100.0 (6.10)

Type of shaft _____

1- keyed (no SAE)
 3- splined (SAE BB)
 5- splined (SAE B)

W version

2- keyed (SAE BB)
 S-splined (DIN 5462)

Mounting W/connection variables

		P1=1" - S=3"		P1=1" - S=2 1/4"	
		1"	3/4" ¹⁾	1"	3/4" ¹⁾
code	Unc	00	01	10	11
	Metric	0M	W0	1M	W1

1) for 46 ml/rev max.
 2) for 126 ml/rev max.
 The large cartridge must be always mounted in the front.

Seal class

1 - S1 (for mineral oil)
 4 - S4 (for fire resistant fluids)
 5 - S5 (for mineral oil and fire resistant fluids)

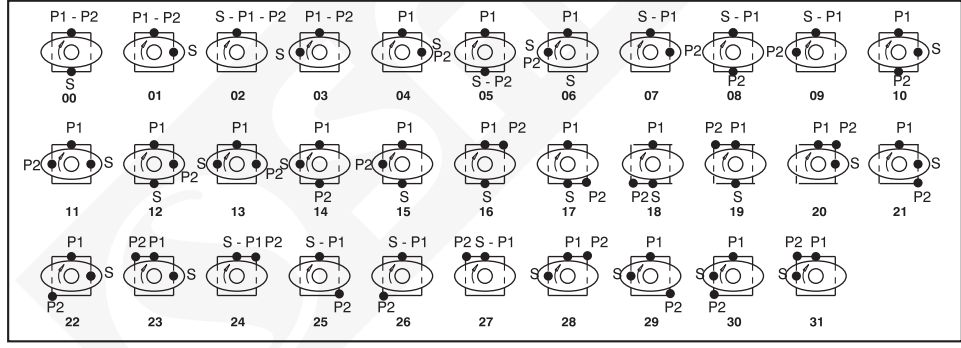
Design letter

Porting combination
 00 - standard

Direction of rotation (view on shaft end)

R - clockwise
 L - counter-clockwise

Porting Diagrams



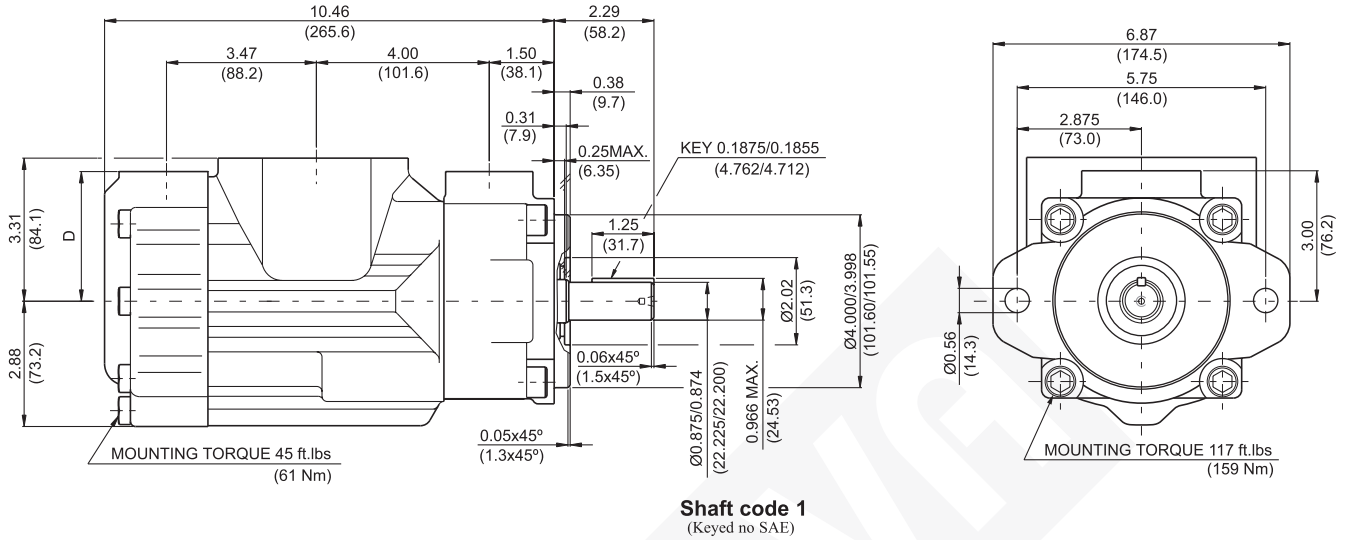
OPERATING CHARACTERISTICS - TYPICAL (24 cST) (Input power p (KW) for one cartridge only)

Pressure port	Series	Volumetric Displacement Vp		Flow q & n = 1500 rpm						Input power p & n = 1500 rpm					
		p = 0 bar (0 psi)		p = 140 bar (2000 psi)		p = 240 bar (3500 psi)		p = 7 bar (100 psi)		p = 140 bar (2000 psi)		p = 240 bar (3500 psi)			
		In ³ /rev	cm ³ /rev	gpm	lpm	gpm	lpm	gpm	lpm	hp	kw	hp	kw	hp	kw
P1 & P2	B03	0.66	10.8	4.29	16.2	2.96	11.2	2.04	7.7	1.74	1.3	7.11	5.3	11.22	8.4
	B05	1.05	17.2	6.83	25.8	5.50	20.8	4.57	17.3	1.88	1.4	10.06	7.5	16.36	12.2
	B06	1.30	21.3	8.44	31.9	7.11	26.9	6.19	23.4	2.01	1.5	11.94	8.9	19.71	14.7
	B08	1.61	26.4	10.48	39.6	9.15	34.6	8.22	31.1	2.15	1.6	14.35	10.7	22.93	17.7
	B10	2.08	34.1	13.52	51.1	12.19	46.1	11.26	42.6	2.28	1.7	18.64	13.4	29.90	22.3
	B12	2.26	37.1	14.71	55.6	13.36	50.6	12.46	47.1	2.28	1.7	19.31	14.4	32.32	24.1
	B14	2.81	46.0	18.25	69.0	16.93	64.0	16.00	60.5	2.55	1.9	23.60	17.6	39.56	29.5
	B15	3.08	50.5	20.00	75.6	18.73	73.2	19.02	67.5	2.68	2.0	25.61	19.1	42.91	32.0
	B17	3.56	58.3	23.12	87.4	21.79	82.4	20.87	78.9	2.82	2.1	29.37	21.9	49.48	36.9
	B20	3.89	63.8	25.32	95.7	23.99	90.7	23.07	87.2	2.95	2.2	31.92	23.8	53.91	40.2
	B22	4.29	70.3	27.88	105.4	26.56	100.4	25.63	96.9	3.08	2.3	35.00	26.1	59.14	44.1
	B25 ¹⁾	4.84	79.3	31.46	118.9	30.13	113.9	29.21	110.4	3.35	2.5	39.16	29.2	66.38	49.5
	B28 ¹⁾	5.42	88.8	35.24	133.2	33.92	128.2	--	--	3.75	2.8	43.85	32.7	--	--
	B31 ¹⁾	6.10	100.0	39.68	150.0	38.35	145.0	--	--	3.75	2.8	48.95	36.5	--	--

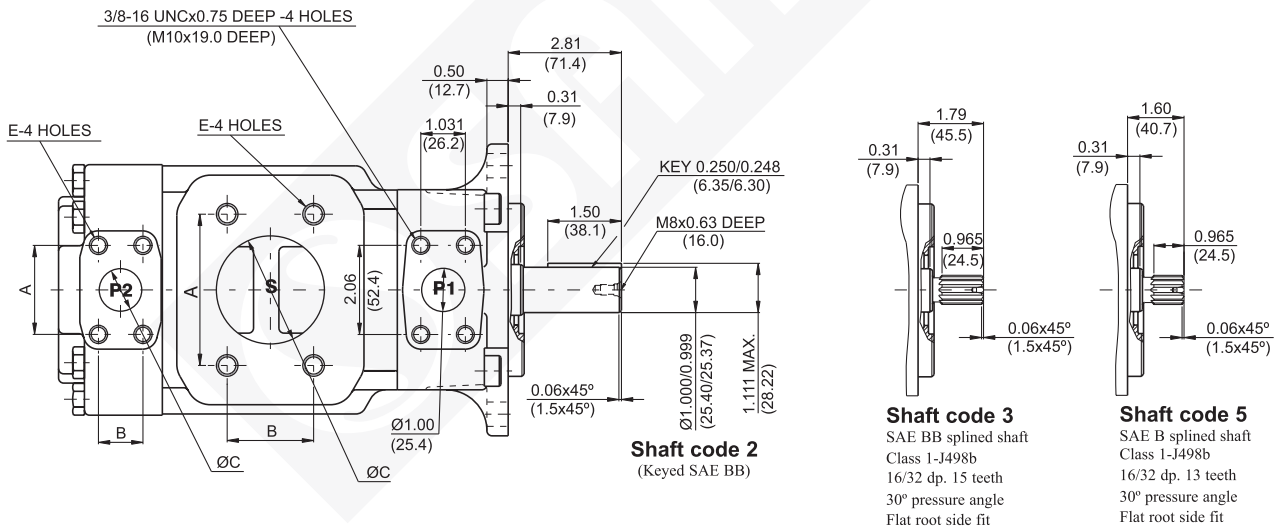
(1) B25-B28-B31 = 2500 RPM. max. (2) B28-B31 = 210 bar (3000 psi) max. int. **B05-B22 Peak Pressure 300 bar**

DIMENSIONS - S6CC SERIES

WEIGHT : 26 Kg.



S6CCW



Shaft torque limits in ³ /rev x psi(ml/rev x bar)	
Shaft	Vp x p max. (P1+P2)
1	12666 (14300)
2	18972 (21420)
3	28937 (32670)
5	18246 (20600)

PORT	A	B	C	D	E
S	4.19 (106.4)	2.44 (61.9)	3.00 (76.2)		5/8-11UNCx1.12 DEEP (M16x28.4 DEEP)
S	3.50 (88.9)	2.00 (50.8)	2.50 (63.5)		1/2-13UNCx0.94 DEEP (M12x24.0 DEEP)
P2	1.874 (47.6)	0.874 (22.2)	0.75 (19.0)	3.00 (76.2)	3/8-16UNCx0.75 DEEP (M10x19.0 DEEP)
P2	2.06 (52.4)	1.03 (26.2)	1.00 (25.4)	2.94 (74.7)	

