



SARVA HYDRAULIK LLC

## ORDERING CODE - S6D SERIES

**Series** S6D

**Y-** Metric port connection  
Omit for UNC

**Cam ring**

Volumetric displacement cm<sup>3</sup>/rev (in<sup>3</sup>/rev)

B14 = 47.6 (2.90)	B35 = 111.0 (6.77)
B17 = 58.2(3.55)	B38 = 120.3 (7.34)
B20 = 66.0 (4.03)	B42 = 136.0 (8.30)
B24 = 79.5 (4.85)	B45 = 145.7 (8.89)
B28 = 89.7 (5.47)	B50 = 158.0 (9.64)
B31 = 98.3 (6.00)	B61 = 190.5 (11.62)

**Type of shaft**

- 1 - keyed (SAE C)
- 2 - keyed (no SAE)
- 3 - splined (SAE C)
- 4 - splined (no SAE)

**\* - B38 - 1 R 00 - S 1**

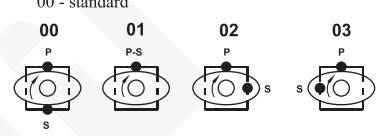
**Seal class**

- 1 - S1 (for mineral oil)
- 4 - S4 (for fire resistant fluids)
- 5 - S5 (for mineral oil and fire resistant fluids)

**Design letter**

**Porting combination**

00 - standard



**S** - Suction port    **P** - Pressure port

**Direction of rotation (view on shaft end)**

- R - clockwise
- L - counter-clockwise

## OPERATING CHARACTERISTICS - TYPICAL (24 cST)

Pressure port	Series	Volumetric Displacement Vp		Flow q & n = 1500 rpm						Input power p & n = 1500 rpm					
		p = 0 bar (0 psi)		p = 140 bar (2000 psi)		p = 240 bar (3500 psi)		p = 7 bar (100 psi)		p = 140 bar (2000 psi)		p = 240 bar (3500 psi)			
		in <sup>3</sup> /rev	cm <sup>3</sup> /rev	gpm	lpm	gpm	lpm	gpm	lpm	hp	kw	hp	kw	hp	kw
S6D	B14	2.90	47.6	18.88	71.4	16.42	62.1	14.78	55.9	3.08	2.3	24.81	18.5	41.03	30.6
	B17	3.55	58.2	23.1	87.3	20.6	78.0	18.99	71.8	3.35	2.5	29.77	22.2	49.62	37.0
	B20	4.00	66.0	26.19	99.0	23.73	89.7	22.08	83.5	3.75	2.8	33.39	24.9	55.92	41.7
	B24	4.80	79.5	31.56	119.3	29.10	110.0	27.46	103.8	4.02	3.0	39.69	29.6	66.78	49.8
	B28	5.50	89.7	35.58	134.5	33.12	125.2	31.48	119.0	4.29	3.2	44.52	33.2	74.96	55.9
	B31	6.00	98.3	39.00	147.5	36.53	138.1	34.89	131.9	4.42	3.3	48.54	36.2	81.80	61.0
	B35	6.80	111.0	44.04	166.5	41.58	157.2	39.94	151.0	4.69	3.5	54.58	40.7	92.13	68.7
	B38	7.30	120.3	47.72	180.4	45.26	171.1	43.62	164.9	4.96	3.7	58.87	43.9	99.64	74.3
	B42 <sup>1)</sup>	8.30	136.0	53.96	204.0	51.50	194.7	49.86	188.5	5.36	4.0	66.25	49.4	112.24	83.7
	B45 <sup>1)</sup>	8.89	145.7	57.80	218.5	55.34	209.2	53.70	203.0	5.50	4.1	70.81	52.8	120.02	89.5
	B50 <sup>1,2)</sup>	9.64	158.0	62.69	237.0	60.23	227.7	--	--	5.90	4.4	76.44	57.0	--	--
	B61 <sup>1,3)</sup>	11.62	190.5	76.25	285.7	73.54	278.0	--	--	6.16	4.6	81.26	60.6	--	--

1) 042-045-050-061=2200 RPM max.

2) 050=210 bar (3000 psi) max. int.

3) 061 = 120 bar (1740 psi) max. int, 061 = 80 bar (1160 psi) cont.

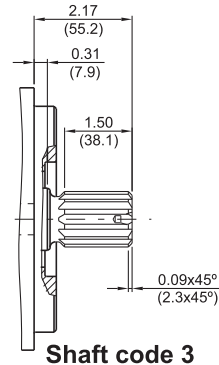
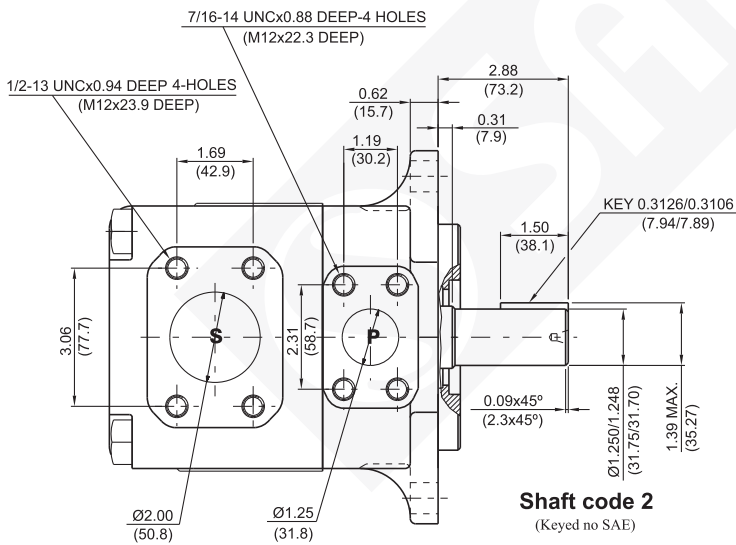
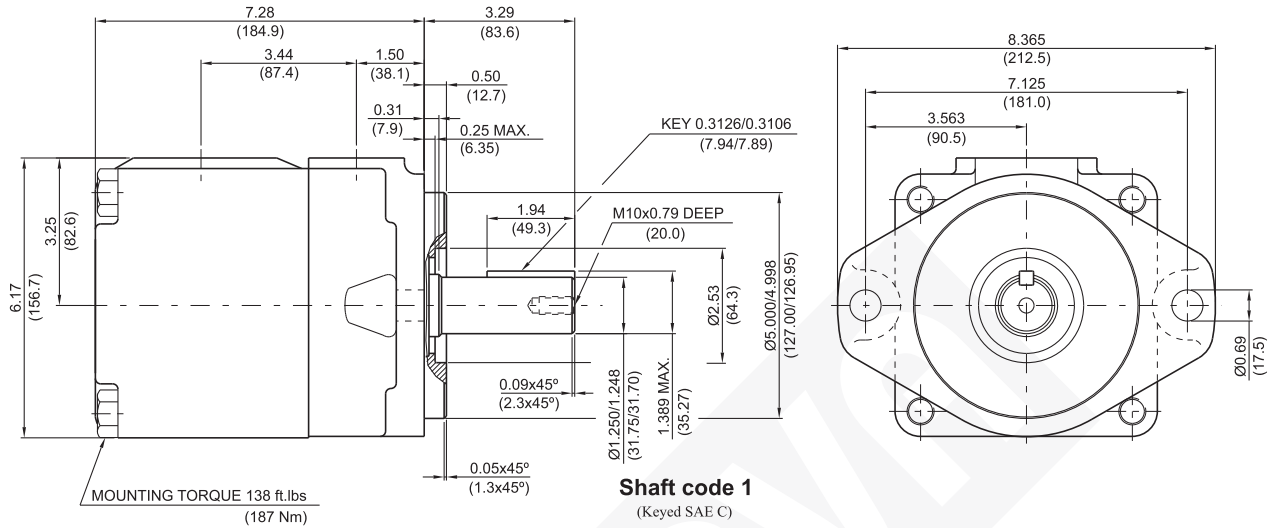
**B14-B38 Peak Pressure 270 bar**



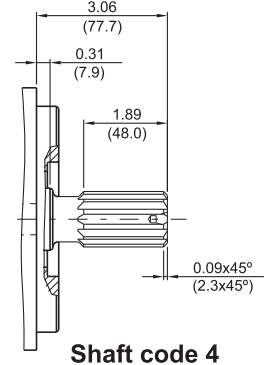
SARVA HYDRAULIK LLC

**DIMENSIONS - S6D SERIES**

**WEIGHT : 24.1 Kg.**



SAE C splined shaft  
Class 1-J498b  
12/24 dp, 14 teeth  
30° pressure angle  
flat root side fit



no SAE splined shaft  
Class 1-J498b  
12/24 dp, 14 teeth  
30° pressure angle  
flat root side fit

Shaft torque limits in <sup>3</sup> /rev x psi (ml/rev x bar)	
Shaft	Vp x p max.
1	38299 (43283)
2	30638 (34590)
3	54207 (61200)
4	54207 (61200)