



SARVA HYDRAULIK LLC

ORDERING CODE - S6E SERIES

S6E * - 052 - 1 R 00 - S 1

Series _____

Y - Metric port connection, Omit for UNC _____

Cam ring _____

Volumetric displacement cm³/rev (in³/rev)

042 = 132.3 (8.07)
 045 = 142.4 (8.69)
 050 = 158.5 (9.67)
 052 = 164.8 (10.06)
 057 = 180.7 (11.02)
 062 = 196.7 (12.00)
 066 = 213.3 (13.02)
 072 = 227.1 (13.86)
 085 = 269.8 (16.46)

Type of shaft _____

1 - keyed (SAE CC)
 2 - keyed (no SAE)
 3 - splined (SAE C)
 4 - splined (SAE CC)

Seal class

1 - S1 (for mineral oil)
 4 - S4 (for fire resistant fluids)
 5 - S5 (for mineral oil and fire resistant fluids)

Design letter

Porting combination

00 - standard

00

01

02

03

S Suction port **P** - Pressure port

Direction of rotation (view on shaft end)

R - clockwise
 L - counter-clockwise

OPERATING CHARACTERISTICS - TYPICAL (24 cST)

Pressure port	Series	Volumetric Displacement V _p		Flow q & n = 1500 rpm						Input power r p & n = 1500 rpm					
				p = 0 bar (0 psi)		p = 140 bar (2000 psi)		p = 240 bar (3500 psi)		p = 7 bar (100 psi)		p = 140 bar (2000 psi)		p = 240 bar (3500 psi)	
		in ³ /rev	cm ³ /rev	gpm	lpm	gpm	lpm	gpm	lpm	hp	kw	hp	kw	hp	kw
S6E	042	8.07	132.3	52.50	198.5	49.87	188.5	47.96	181.3	6.97	5.2	66.25	49.4	110.77	82.6
	045	8.70	142.4	56.51	213.6	53.86	203.6	51.98	196.5	7.24	5.4	70.94	52.9	118.95	88.7
	050	9.67	158.5	62.88	237.7	60.24	227.7	58.36	220.6	7.64	5.7	78.45	58.5	131.82	98.3
	052	10.00	164.8	65.40	247.2	62.75	237.2	60.87	230.1	7.78	5.8	81.53	60.8	136.92	102.1
	057	11.02	180.7	71.71	271.1	69.07	261.1	67.19	254.0	8.18	6.1	89.04	66.4	143.35	106.9
	062	12.00	196.7	78.04	295.0	75.40	285.0	73.52	277.9	8.58	6.4	96.42	71.9	162.67	121.3
	066	13.00	213.3	84.63	319.9	81.98	309.9	80.11	302.8	8.98	6.7	104.20	77.7	175.94	131.2
	072	13.86	227.1	90.11	340.6	87.46	330.6	--	--	9.25	6.9	110.77	82.6	--	--
085 ¹⁾	16.40	269.8	107.00	404.7	105.21 ²⁾	397.7 ²⁾	--	--	9.78	7.3	87.56 ²⁾	65.3 ²⁾	--	--	

1) 085 = 2000 RPM max.

2) 085 = 75 bar (1100 psi) cont.

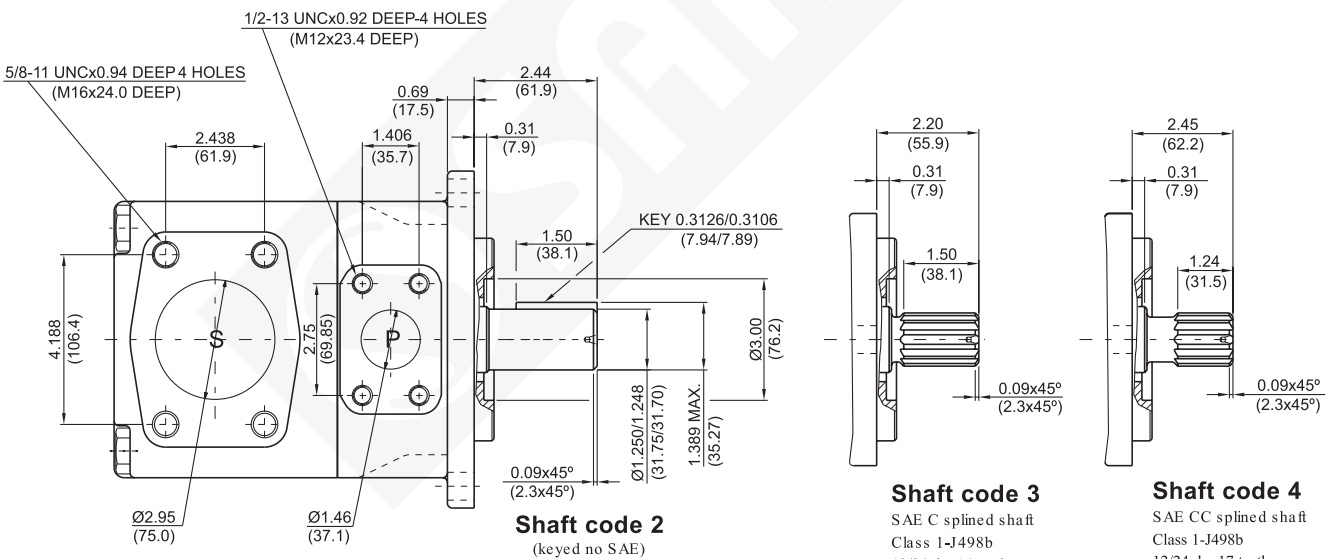
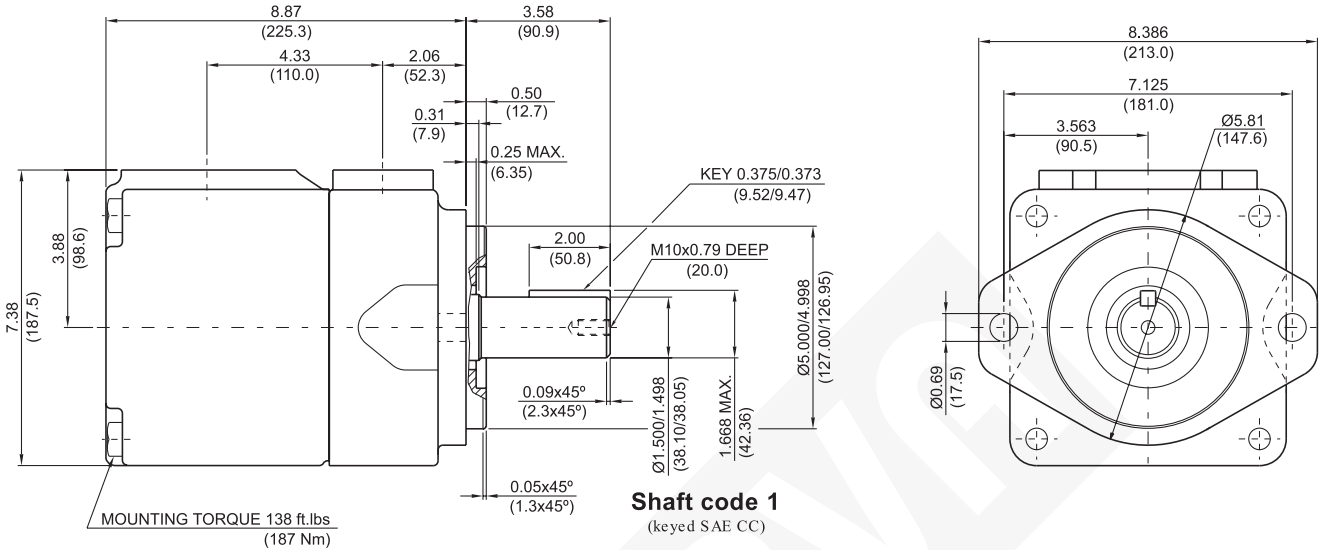
085 = 90 bar (1300 psi) max. int.



SARVA HYDRAULIK LLC

DIMENSIONS - S6E SERIES

WEIGHT : 43.4 Kg.



Shaft torque limits in ³ /rev x psi (ml/rev x bar)	
Shaft	Vp x p max.
1	48273 (54555)
2	30638 (34590)
3	54207 (61200)
4	54207 (61200)