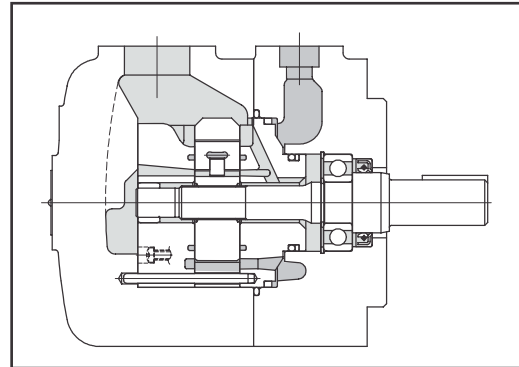
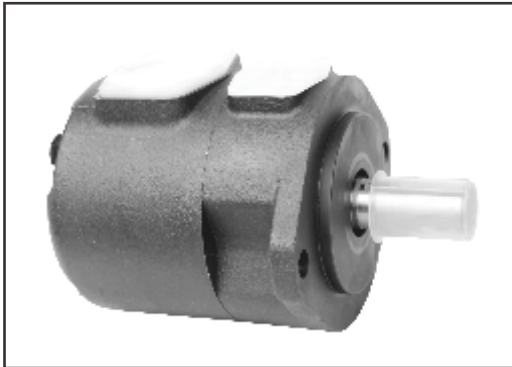


# H-SQP Series Low noise fixed displacement vane pumps

## SINGLE PUMPS



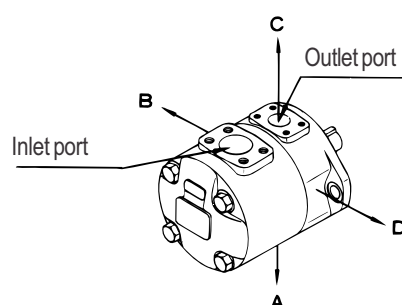
### ORDERING CODE

**(F3) - H-SQP3 - 35 - 86- C -(LH) - 18**

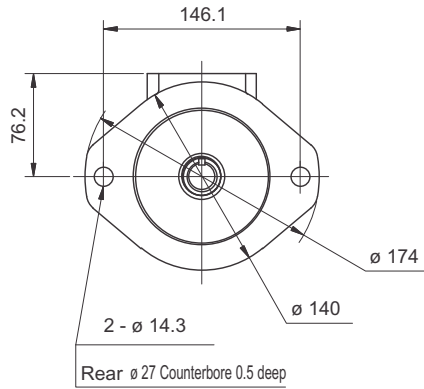
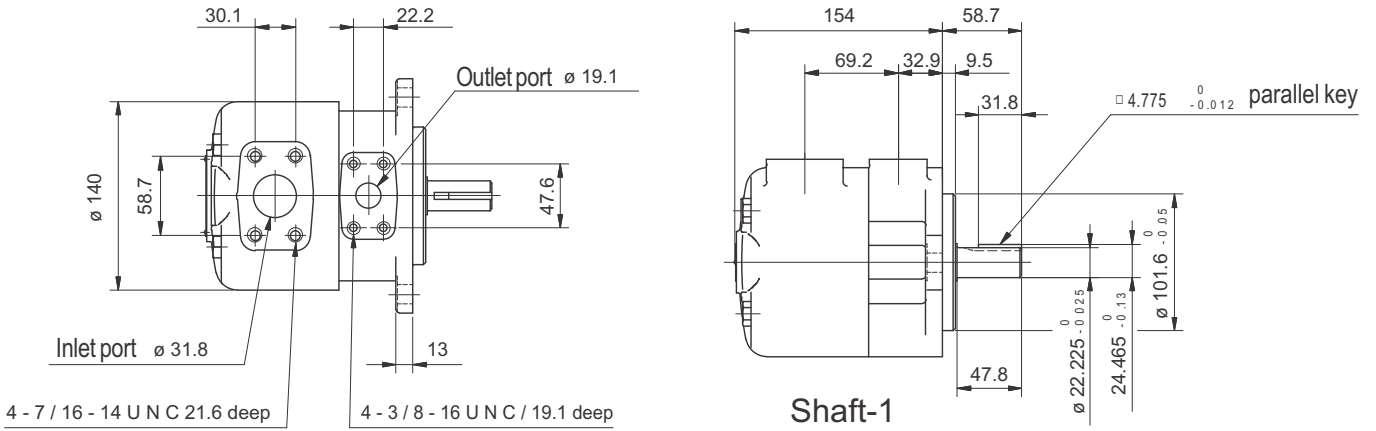
1    2    3    4    5    6    7

- | <p><b>1</b> Fluid<br/>                 Omit for mineral oil<br/>                 F3: phosphate ester<br/>                 F11 : water glycol</p> <p><b>2</b> Low noise fixed displ. vane pump<br/>                 H-SQP1 Series<br/>                 H-SQP2 Series<br/>                 H-SQP3 Series<br/>                 H-SQP4 Series</p> <p><b>3</b> Pump displacement code</p> <table border="1" style="width: 100%; border-collapse: collapse;"> <thead> <tr> <th style="text-align: left;">Series</th> <th style="text-align: left;">Displacement</th> </tr> </thead> <tbody> <tr> <td>H-SQP1</td> <td>2,3,4,5,6,7,8,9,11,12,14</td> </tr> <tr> <td>H-SQP2</td> <td>10,12,14,15,17,19,21</td> </tr> <tr> <td>H-SQP3</td> <td>21,25,30,32,35,38,45</td> </tr> <tr> <td>H-SQP4</td> <td>42,45,50,57,60,66,75</td> </tr> </tbody> </table> | Series                   | Displacement | H-SQP1 | 2,3,4,5,6,7,8,9,11,12,14 | H-SQP2 | 10,12,14,15,17,19,21 | H-SQP3 | 21,25,30,32,35,38,45 | H-SQP4 | 42,45,50,57,60,66,75 | <p><b>4</b> Shaft</p> <p style="margin-left: 20px;">1 parallel sq. key    <span style="border-left: 1px solid black; padding-left: 5px;">H-SQP1</span><br/> <span style="border-left: 1px solid black; padding-left: 5px;">H-SQP2</span></p> <p style="margin-left: 20px;">86 parallel sq. key    <span style="border-left: 1px solid black; padding-left: 5px;">H-SQP3</span><br/> <span style="border-left: 1px solid black; padding-left: 5px;">H-SQP4</span></p> <p><b>5</b> Outlet port position (viewed from cover end)<br/>                 A: opposite inlet<br/>                 B: 90' CCW from inlet<br/>                 C: inline with inlet<br/>                 D: 90' CW from inlet</p> <p><b>6</b> Rotation (viewed from shaft end)<br/>                 Omit for CW<br/>                 LH: CCW</p> <p><b>7</b> Design no.</p> |
|---|--------------------------|--------------|--------|--------------------------|--------|----------------------|--------|----------------------|--------|----------------------|---|
| Series  | Displacement             |              |        |                          |        |                      |        |                      |        |                      |   |
| H-SQP1  | 2,3,4,5,6,7,8,9,11,12,14 |              |        |                          |        |                      |        |                      |        |                      |   |
| H-SQP2  | 10,12,14,15,17,19,21     |              |        |                          |        |                      |        |                      |        |                      |   |
| H-SQP3  | 21,25,30,32,35,38,45     |              |        |                          |        |                      |        |                      |        |                      |   |
| H-SQP4  | 42,45,50,57,60,66,75     |              |        |                          |        |                      |        |                      |        |                      |   |

•Outlet port position



# H-SQP1 (Flange Mount)



Model Numbers	Approx. Weight (kg)
H-SQP1	16.0

## Specifications

Model	Displ. Code	Nominal Displacement cm <sup>3</sup> /rev	Mineral Oil H-SQP		Phosphate Ester F11-H-SQP		Water-Glycol F3-H-SQP		Min. Speed min <sup>-1</sup>
			Max. Pressure MPa	Max. Speed min <sup>-1</sup>	Max. Pressure Mpa	Max. Speed min <sup>-1</sup>	Max. Pressure MPa	Max. Speed min <sup>-1</sup>	
H-SQP1	2	7.5	14	1800	14	1200	14	1200	600
	3	10.2							
	4	12.8							
	5	16.7	17.5						
	6	19.2							
	7	22.9							
	8	26.2							
	9	28.3	16						
	11	35.0							
	12	37.9							
14	44.2	14							