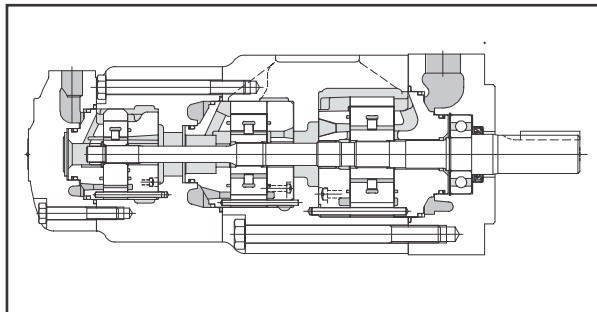


# H-SQP Series Low noise fixed displacement vane pumps

## TRIPLE PUMPS



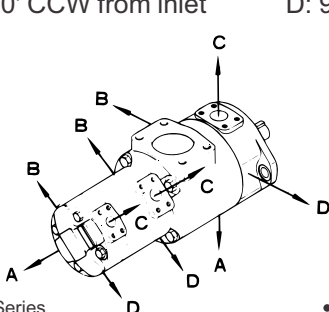
### ORDERING CODE

**(F3) - H-SQP432 - 60 - 38 - 15 - 86 C C C - (LH) - 18**

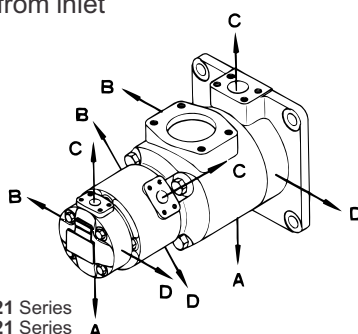
- 1 2 3 4 5 6 7 8 9 10 11

- 1** Fluid  
Omit for mineral oil  
F3: phosphate ester  
F11: water glycol
- 2** Low noise fixed displ. triple vane pump  
H-SQP211 Series  
H-SQP311,321 Series  
H-SQP421,431,432 Series
- 3** Shaft end pump displacement
- | Series   | Displacement         |
|----------|----------------------|
| H-SQP2** | 10,12,14,15,17,19,21 |
| H-SQP3** | 21,25,30,32,35,38,45 |
| H-SQP4** | 42,45,50,57,60,66,75 |
- 4** Middle pump displacement
- | Series   | Displacement             |
|----------|--------------------------|
| H-SQP*1* | 2,3,4,5,6,7,8,9,11,12,14 |
| H-SQP*2* | 10,12,14,15,17,19,21     |
| H-SQP*3* | 21,25,30,32,35,38,45     |
- 5** Cover end pump displacement
- | Series   | Displacement                     |
|----------|----------------------------------|
| H-SQP**1 | 2,3,4,5,6,7,8,(9),(11),(12),(14) |
| H-SQP**2 | 10,12,14,15,17,19,21             |
- 6** Shaft  
86: parallel sq. key
- 7** Shaft end pump outlet position(viewed from cover end)  
A: opposite inlet                      C: inline with inlet  
B: 90' CCW from inlet                D: 90' CW from inlet

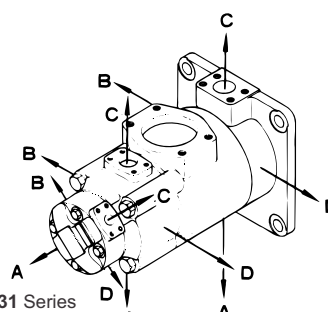
- 8** Middle pump outlet position(viewed from cover end)  
SQP211,311,321,421  
A: 135' CCW from inlet  
B: 45' CCW from inlet  
C: 45' CW from inlet  
D: 135' CW from inlet  
SQP431 ,432  
A: opposite inlet  
B: 90' CCW from inlet  
C: inline with inlet  
D: 90' CW from inlet
- 9** Cover end pump outlet position(viewed from cover end)  
SQP211,311,431,432  
A: 135' CCW from inlet  
B: 45' CCW from inlet  
C: 45' CW from inlet  
D: 135' CW from inlet  
SQP321,421  
A: opposite inlet  
B: 90' CCW from inlet  
C: inlet with inlet  
D: 90' CW from inlet
- 10** Rotation (viewed from shaft end)  
Omit for CW  
LH: CCW
- 11** Design no.



• H-SQP211 Series  
• H-SQP311 Series

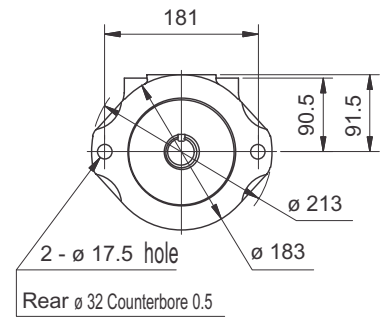
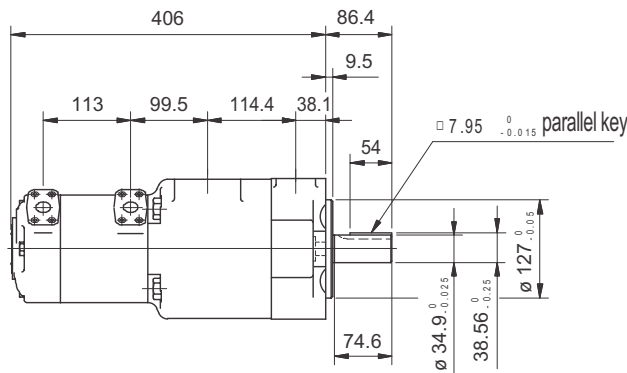
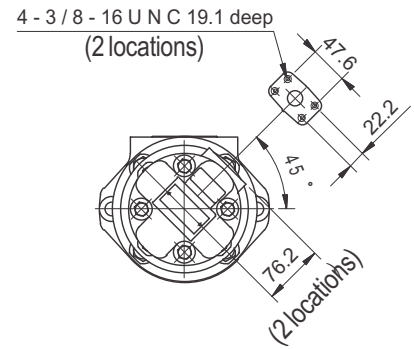
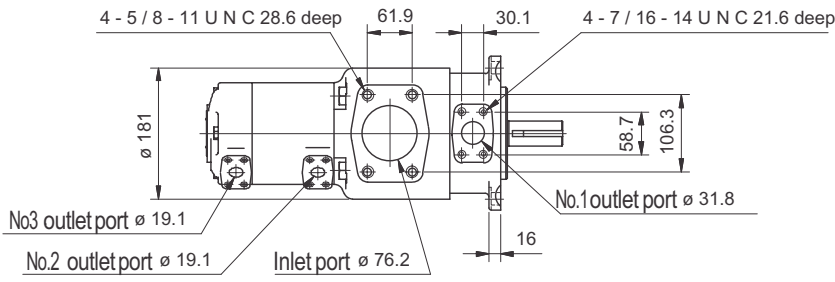


• H-SQP321 Series  
• H-SQP421 Series



• H-SQP431 Series  
• H-SQP432 Series

# H-SQP311 (Flange Mount)



Model Numbers	Approx. Weight (kg)
H-SQP311	60.0

## Specifications

Model	Shaft End Pump			Middle Pump			Cover End Pump					
	Displ. Code	Nominal Displacement cm <sup>3</sup> /rev	Max. Working Press. MPa	Displ. Code	Delivery at 1000 min <sup>-1</sup> 0.7Mpa L/min	Max. Working Press. MPa	Displ. Code	Delivery at 1000 min <sup>-1</sup> 0.7Mpa L/min	Max. Working Press. MPa	Max. Speed min <sup>-1</sup>		
										Mineral Oil	Water-Glycol	Phosphate Ester
H-SQP311	21	66.7	17.5	2	7.5	14.0	2	7.5	14.0	1800	1200	1200
	25	79.2		3	10.2		3	10.2				
	30	95.0		4	12.8		4	12.8				
	32	100.0		5	16.7	5	16.7					
	35	109.0		6	19.2	6	19.2					
	38	118.0		7	22.9	7	22.9					
	45	140.0		8	26.2	8	26.2					
			14.0	9	28.3	17.5	9	28.3	17.5	1200	1000	1000
				11	35.0		11	35.0				
				12	37.9	12	37.9					
				14	44.2	14	44.2					

\*F3-H-SQP max. working pressure and speed with phosphate ester fluid

▲ F11-H-SQP max. speed with water-glycol fluid

Minimum speed min<sup>-1</sup> 600