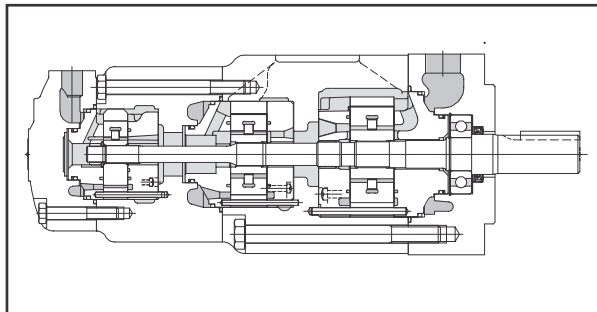


H-SQP Series Low noise fixed displacement vane pumps

TRIPLE PUMPS



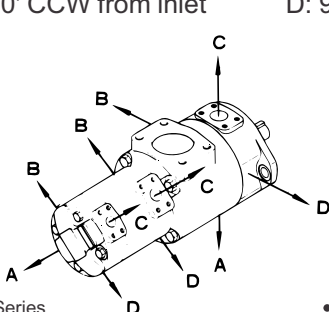
ORDERING CODE

(F3) - H-SQP432 - 60 - 38 - 15 - 86 C C C - (LH) - 18

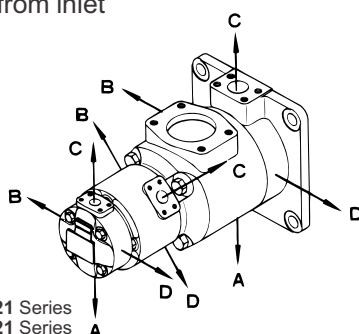
- 1 2 3 4 5 6 7 8 9 10 11

- 1** Fluid
Omit for mineral oil
F3: phosphate ester
F11: water glycol
- 2** Low noise fixed displ. triple vane pump
H-SQP211 Series
H-SQP311,321 Series
H-SQP421,431,432 Series
- 3** Shaft end pump displacement
- | Series | Displacement |
|----------|----------------------|
| H-SQP2** | 10,12,14,15,17,19,21 |
| H-SQP3** | 21,25,30,32,35,38,45 |
| H-SQP4** | 42,45,50,57,60,66,75 |
- 4** Middle pump displacement
- | Series | Displacement |
|----------|--------------------------|
| H-SQP*1* | 2,3,4,5,6,7,8,9,11,12,14 |
| H-SQP*2* | 10,12,14,15,17,19,21 |
| H-SQP*3* | 21,25,30,32,35,38,45 |
- 5** Cover end pump displacement
- | Series | Displacement |
|----------|----------------------------------|
| H-SQP**1 | 2,3,4,5,6,7,8,(9),(11),(12),(14) |
| H-SQP**2 | 10,12,14,15,17,19,21 |
- 6** Shaft
86: parallel sq. key
- 7** Shaft end pump outlet position(viewed from cover end)
A: opposite inlet C: inline with inlet
B: 90' CCW from inlet D: 90' CW from inlet

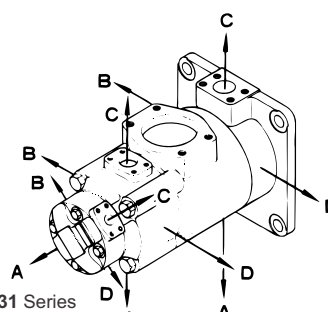
- 8** Middle pump outlet position(viewed from cover end)
SQP211,311,321,421
A: 135' CCW from inlet
B: 45' CCW from inlet
C: 45' CW from inlet
D: 135' CW from inlet
SQP431 ,432
A: opposite inlet
B: 90' CCW from inlet
C: inline with inlet
D: 90' CW from inlet
- 9** Cover end pump outlet position(viewed from cover end)
SQP211,311,431,432
A: 135' CCW from inlet
B: 45' CCW from inlet
C: 45' CW from inlet
D: 135' CW from inlet
SQP321,421
A: opposite inlet
B: 90' CCW from inlet
C: inlet with inlet
D: 90' CW from inlet
- 10** Rotation (viewed from shaft end)
Omit for CW
LH: CCW
- 11** Design no.



• H-SQP211 Series
• H-SQP311 Series

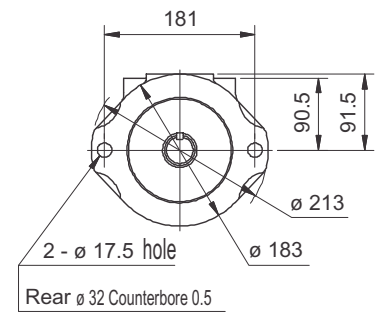
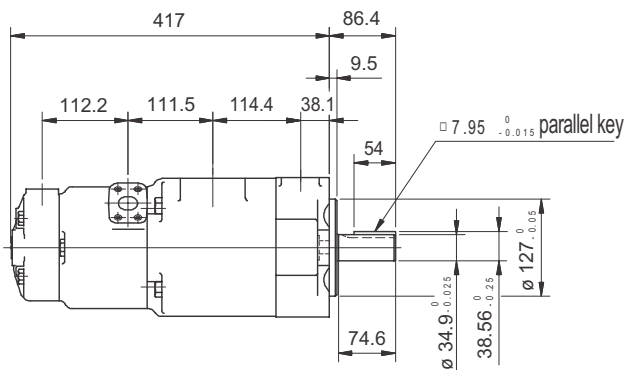
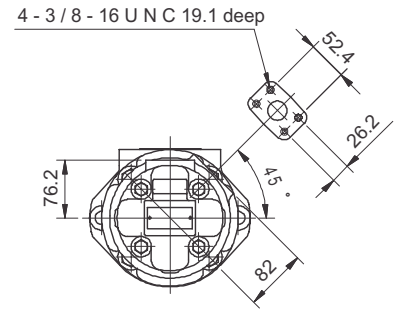
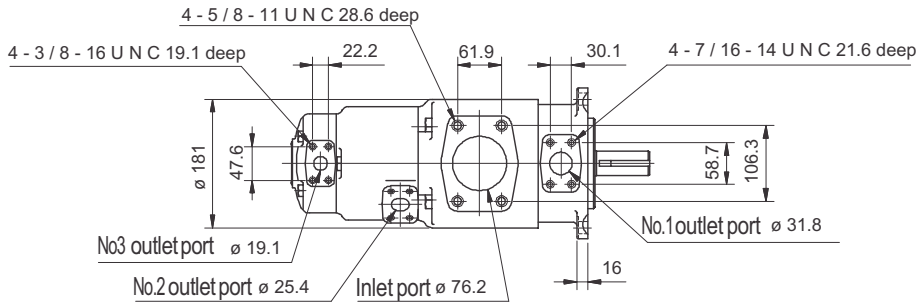


• H-SQP321 Series
• H-SQP421 Series



• H-SQP431 Series
• H-SQP432 Series

H-SQP321 (Flange Mount)



Model Numbers	Approx. Weight (kg)
H-SQP321	62.0

Specifications

Model	Shaft End Pump			Middle Pump			Cover End Pump							
	Displ. Code	Nominal Displacement cm^3/rev	Max. Working Press. MPa	Displ. Code	Delivery at 1000 min^{-1} 0.7Mpa L/min	Max. Working Press. MPa	Displ. Code	Delivery at 1000 min^{-1} 0.7Mpa L/min	Max. Working Press. MPa	Max. Speed min^{-1}				
										Mineral Oil	Water-Glycol	Phosphate Ester		
H-SQP321	21	66.7	17.5	10	32.5	17.5	2	7.5	14.0	1800	1200	1200		
	25	79.2		12	38.3		3	10.2						
	30	95.0		14	43.3		4	12.8						
	32	100.0		15	46.7		5	16.7	17.5					
	35	109.0		17	52.5		6	19.2						
	38	118.0		19	59.2		7	22.9	1200				1000	1000
	45	140.0		14.0	21		65.0	8						
							9	28.3						
						11	35.0							

*F3-H-SQP max. working pressure and speed with phosphate ester fluid

▲ F11-H-SQP max. speed with water-glycol fluid

Minimum speed min^{-1} 600