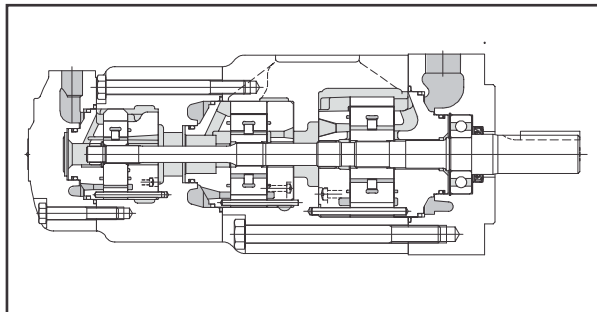


# H-SQP Series Low noise fixed displacement vane pumps

## TRIPLE PUMPS



### ORDERING CODE

**(F3) - H-SQP432 - 60 - 38 - 15 - 86 C C C - (LH) - 18**

- 1 2 3 4 5 6 7 8 9 10 11

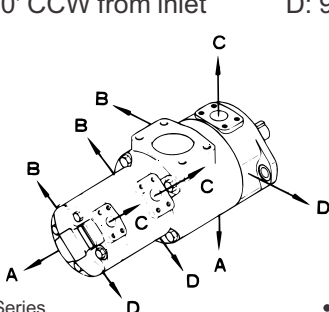
- 1 Fluid  
Omit for mineral oil  
F3: phosphate ester  
F11: water glycol
- 2 Low noise fixed displ. triple vane pump  
H-SQP211 Series  
H-SQP311,321 Series  
H-SQP421,431,432 Series
- 3 Shaft end pump displacement
 

Series	Displacement
H-SQP2**	10,12,14,15,17,19,21
H-SQP3**	21,25,30,32,35,38,45
H-SQP4**	42,45,50,57,60,66,75
- 4 Middle pump displacement
 

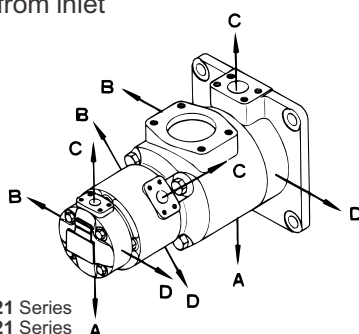
Series	Displacement
H-SQP*1*	2,3,4,5,6,7,8,9,11,12,14
H-SQP*2*	10,12,14,15,17,19,21
H-SQP*3*	21,25,30,32,35,38,45
- 5 Cover end pump displacement
 

Series	Displacement
H-SQP**1	2,3,4,5,6,7,8,(9),(11),(12),(14)
H-SQP**2	10,12,14,15,17,19,21
- 6 Shaft  
86: parallel sq. key
- 7 Shaft end pump outlet position(viewed from cover end)  
A: opposite inlet                      C: inline with inlet  
B: 90' CCW from inlet                D: 90' CW from inlet

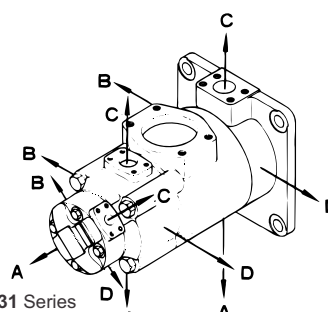
- 8 Middle pump outlet position(viewed from cover end)  
SQP211,311,321,421  
A: 135' CCW from inlet  
B: 45' CCW from inlet  
C: 45' CW from inlet  
D: 135' CW from inlet  
SQP431 ,432  
A: opposite inlet  
B: 90' CCW from inlet  
C: inline with inlet  
D: 90' CW from inlet
- 9 Cover end pump outlet position(viewed from cover end)  
SQP211,311,431,432  
A: 135' CCW from inlet  
B: 45' CCW from inlet  
C: 45" CW from inlet  
D: 135' CW from inlet  
SQP321,421  
A: opposite inlet  
B: 90' CCW from inlet  
C: inlet with inlet  
D: 90" CW from inlet
- 10 Rotation (viewed from shaft end)  
Omit for CW  
LH: CCW
- 11 Design no.



• H-SQP211 Series  
• H-SQP311 Series

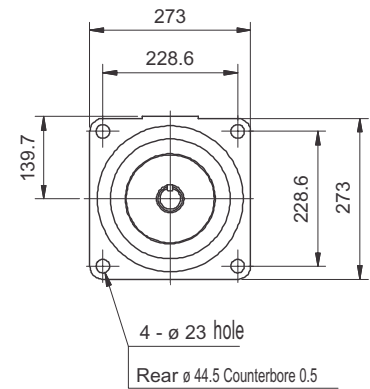
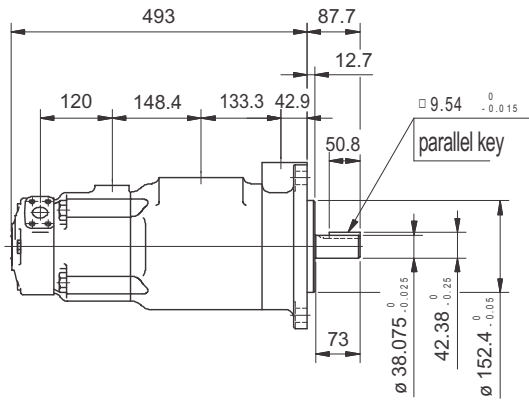
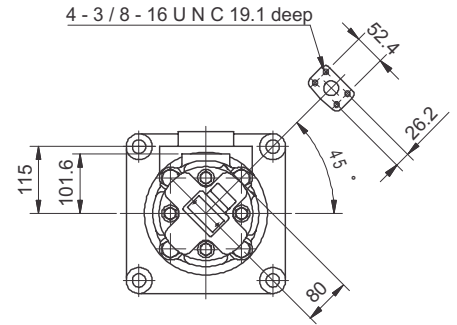
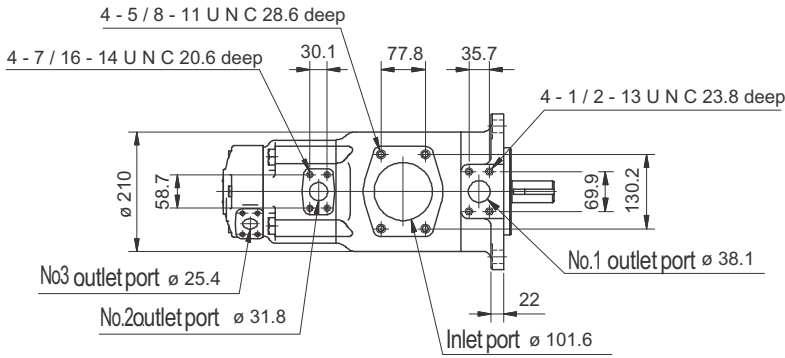


• H-SQP321 Series  
• H-SQP421 Series



• H-SQP431 Series  
• H-SQP432 Series

# H-SQP432 (Flange Mount)



Model Numbers	Approx. Weight (kg)
H-SQP432	104.1

## Specifications

Model	Shaft End Pump			Middle Pump			Cover End Pump					
	Displ. Code	Nominal Displacement cm <sup>3</sup> /rev	Max. Working Press. MPa	Displ. Code	Delivery at 1000 min <sup>-1</sup> 0.7Mpa L/min	Max. Working Press. MPa	Displ. Code	Delivery at 1000 min <sup>-1</sup> 0.7Mpa L/min	Max. Working Press. MPa	Max. Speed min <sup>-1</sup>		
										Mineral Oil	Water-Glycol	Phosphate Ester
H-SQP432	42	134.0	17.5	21	66.7	17.5	10	32.5	17.5	1500	1200	1200
	45	140.0		25	79.2		12	38.3				
	50	156.0		30	95.0		14	43.3				
	57	178.0		32	100.0		15	46.7				
	60	189.0		35	109.0		17	52.5				
	66	207.0	14.0	38	118.0	19	59.2	1200	1000	1000		
	75	237.0		45	140.0	14.0	21				65.0	

\*F3-H-SQP max. working pressure and speed with phosphate ester fluid

▲ F11-H-SQP max. speed with water-glycol fluid

Minimum speed min<sup>-1</sup> 600