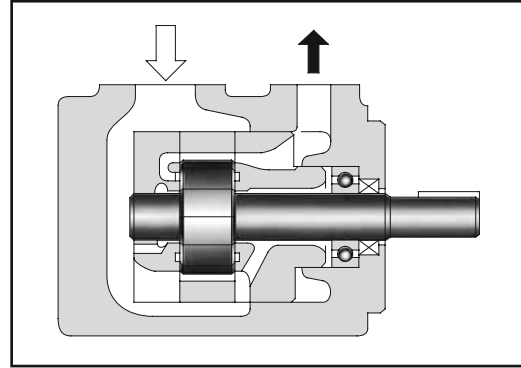


H-V/ VQ Series Low noise fixed displacement vane pumps

SINGLE PUMPS



ORDERING CODE

H-25V / VQ - 21 - A - 1 - C - (LH) - 22

- 1 2 3 4 5 6 7

- 1 Low noise fixed displ. vane pump
 H-20V / VQ Series
 H-25V / VQ Series
 H-35V / VQ Series
 H-45V / VQ Series

- 2 Pump displacement code

Series	Displacement
H-20V / VQ Series	2,3,4,5,6,7,8,9,11,12,14
H-25V / VQ Series	10,12,14,15,17,19,21
H-35V / VQ Series	21,25,30,32,35,38,45
H-45V / VQ Series	42,45,50,57,60,66,75

- 3 Port Connections
 "A" SAE 4Bolt Flange

- 4 Shaft

1 parallel sq. key	H-20V / VQ
86 parallel sq. key	H-25V / VQ
11 splined	H-35V / VQ
	H-45V / VQ

- 5 Outlet port position (viewed from cover end)

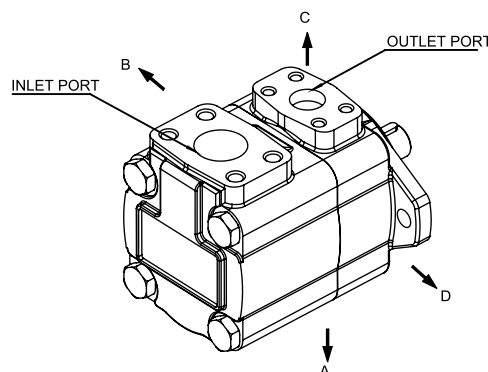
- A: opposite inlet
- B: 90° CCW from inlet
- C: inline with inlet
- D: 90° CW from inlet

- 6 Rotation (viewed from shaft end)

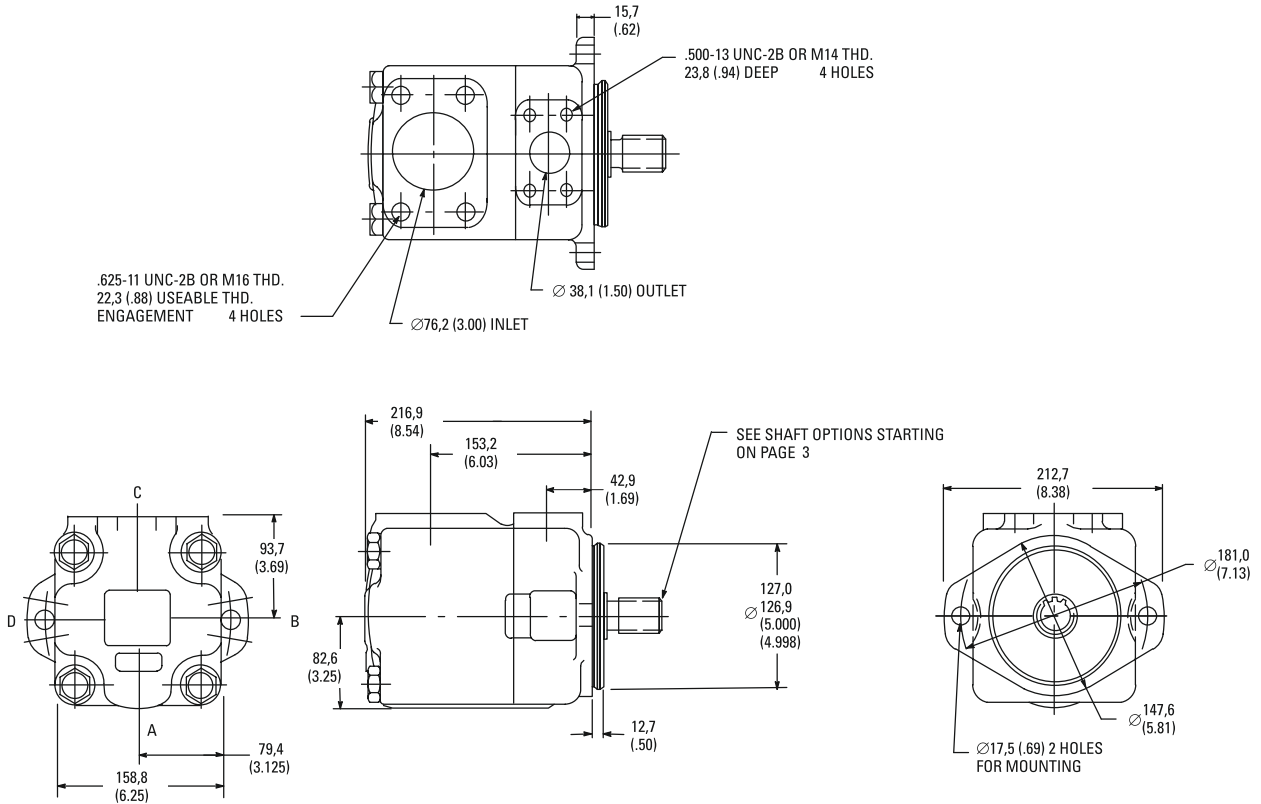
- Omit for CW
- LH: CCW

- 7 Design no.

- 22 For V Series
- 20 For VQ Series



H-45 V / VQ



Model Numbers	Approx. Weight (kg)
H-45V/VQ	34.0

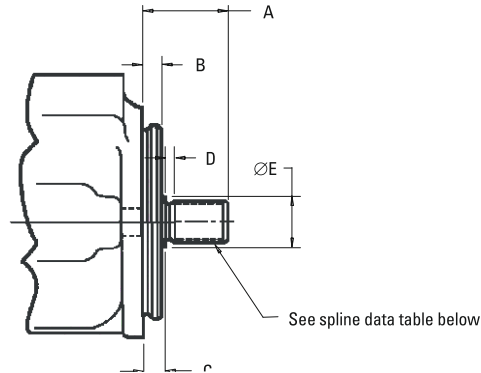
Specifications

Model	Displ. Code	Nominal Displacement 7 BAR cm ³ /rev	Mineral Oil H-45V/VQ		
			Max. Pressure BAR	Max. Speed min ⁻¹	Min. Speed min ⁻¹
H-45V/VQ	42	134.0	175	1800	600
	45	140.0			
	50	156.0			
	57	178.0			
	60	189.0	140		
	66	212.0			
	75	237.0			

SHAFT TYPES

Splined Shafts

Dimensions in millimeters (inches)

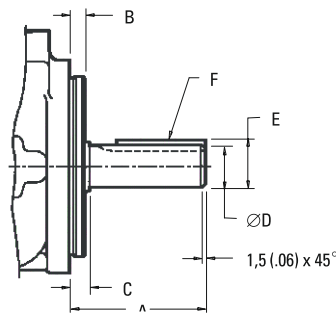


Pump	Shaft Code	A	B	C	D	ØE	Spline Data (See below.)
H-20V / VQ	11	44,1 (1.62)	9,53 (.375)	11,9 (.468)	4,1 (.16)	27,8 (1.09)	A
H-25V / VQ	11	44,5 (1.75)	9,53 (.375)	11,1 (.437)	4,1 (.16)	27,8 (1.09)	A
H-35V / VQ	11	58,7 (2.31)	9,53 (.375)	11,1 (.437)	6,4 (.25)	35,1 (1.38)	D
H-45V / VQ	11	61,9 (2.44)	12,7 (.500)	14,3 (.565)	9,7 (.38)	39,6 (1.56)	D

Spline Data Table (Involute splines from above chart)						
Spline Data Reference	Number of Teeth	Pitch	Major Diameter	Form Diameter	Minor Diameter	Minor Diameter
A	13	16/32	22,17 (.873) 22,15 (.872)	19,03 (.749)	18,16 (.715)	Major dia. fit
D	14	12/24	31,70 (1.248) 31,67 (1.247)	27,4 (1.08)	26,42 (1.040)	Major dia. fit

Straight Key Shafts

Dimensions in millimeters (inches)



Pump	Shaft Code	A	B	C	ØD	E	F key width x length
H-20V / VQ	1	58,7 (2.31)	9,53 (.375)	11,9 (.468)	22,23 (.875)	24,5 (.966)	4,75 (.187)
					22,20 (.874)	24,4 (.961)	x 32 (1.25)
H-25V / VQ	1	58,7 (2.31)	9,53 (.375)	11,1 (.435)	22,23 (.875)	24,5 (.966)	4,75 (.187)
					22,20 (.874)	24,4 (.961)	x 32 (1.25)
	86	77,7 (3.06)	9,53 (.375)	11,1 (.435)	25,37 (.999)	28,3 (1.11)	6,36 (.250)
					25,35 (.998)	28,1 (1.10)	x 50,8 (2.00)
H-35V / VQ	1	73,2 (2.88)	9,53 (.375)	11,1 (.435)	31,75 (1.250)	35,36 (1.39)	7,94 (.313)
					31,70 (1.248)	34,10 (1.38)	x 38,1 (1.50)
	86	85,9 (3.38)	9,53 (.375)	11,1 (.435)	34,90 (1.374)	38,6 (1.52)	7,92 (.312)
					34,87 (1.373)	38,3 (1.51)	x 54 (2.13)
H-45V / VQ	1	62,0 (2.44)	12,7 (.500)	14,22 (.560)	31,75 (1.250)	35,36 (1.39)	7,92 (.312)
					31,70 (1.248)	34,10 (1.38)	x 28,5 (1.12)
	86	87,4 (3.44)	12,7 (.500)	14,22 (.560)	38,07 (1.499)	42,4 (1.67)	9,53 (.375)
					38,05 (1.498)	42,1 (1.66)	x 50,8 (2.00)