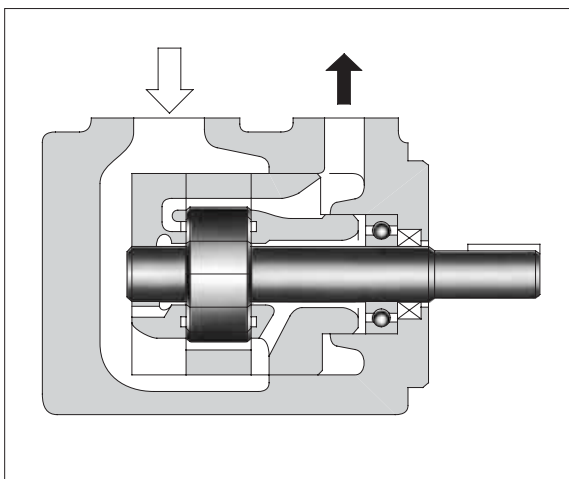
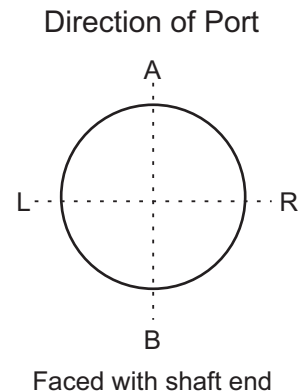


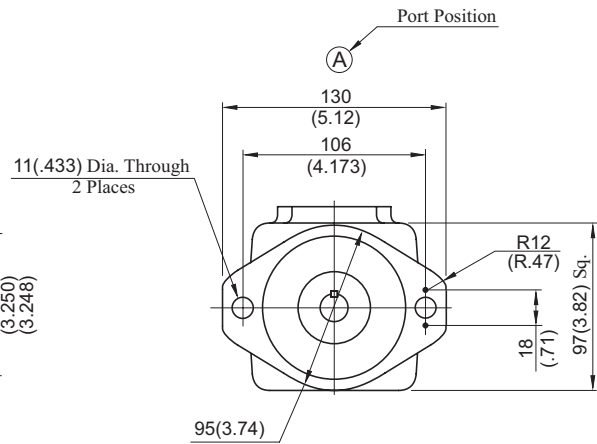
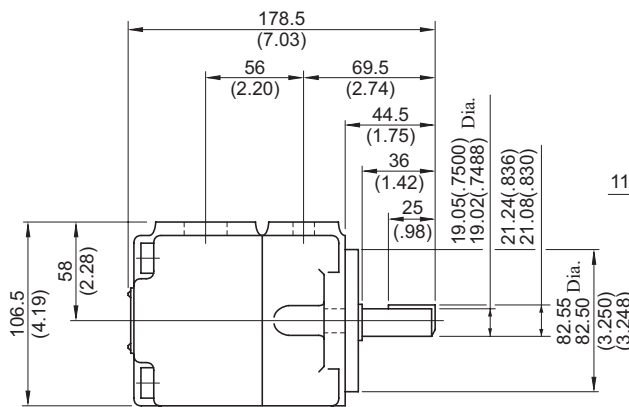
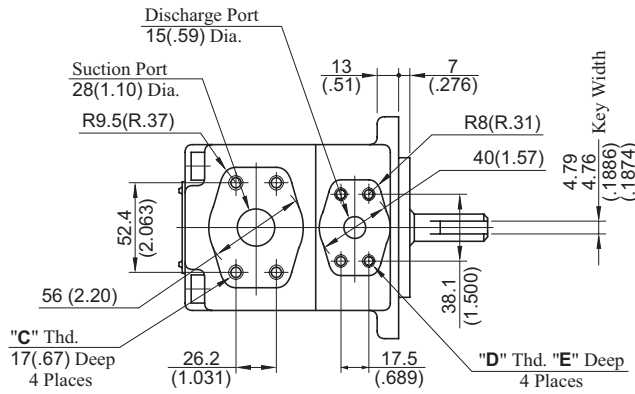
“HPV2R” Series Single Vane Pumps



• Model Number Designation

F-	HPV2R	-6	-F	-R	A	A	-60
Special Seals	Series Number	Nominal Displacement cm ³ /rev	Type of Mounting	Shaft Rotation	Discharge Port Position	Suction Port Position	Design Number
F: For phosphate ester type fluids (Omit if not required)	HPV2R1	4, 6, 8, 10, 12 14, 17, 19 23, 25, 28, 31	F: Flange Mounting	R: Clockwise (Normal)	A: Upwards (Normal)	A: Upwards (Normal)	60
	HPV2R2	26, 33, 41, 47 53, 59, 65		60			
	HPV2R3	52, 60, 66, 76, 94, 116, 125, 136, 153		60			
	HPV2R4	136, 153, 184 200, 237		60			

HPV2R1-*-F-RAA-60



Model Numbers	"C" Thd.	"D" Thd.	E mm (Inches)
HPV2R1- *-F-RAA-60	3/8-16 UNC	5/16-18 UNC	16 (.63)

Model Numbers	Approx. Weight (kg)
HPV2R1	8.0

Specifications

Model Numbers	Geometric Displacement cm ³ /rev (cu.in./rev)	Max. Operating Pressure MPa (PSI)						Shaft Speed Range r/min	
		Petroleum Base Oils		Water Containing Fluids			Synthetic Fluids	Max.	Min.
		Anti-Wear Type	R & O Type	Anti-Wear Type Water Glycols	Water Glycols	Water in Oil Emulsions	Phosphate Esters		
HPV2R1-4	4.3 (.262)	21 (3050)						1800 (1200)	750
HPV2R1-6	5.8 (.354)								
HPV2R1-8	8.0 (.488)								
HPV2R1-10	9.4 (.574)								
HPV2R1-12	12.2 (.744)								
HPV2R1-14	13.7 (.836)	21 (3050)	16 (2320)	16 (2320)	7 (1020)	7 (1020)	16 (2320)	1800 (1200)	750
HPV2R1-17	16.6 (1.013)								
HPV2R1-19	18.6 (1.135)								
HPV2R1-23	22.7 (1.385)								
HPV2R1-25	25.3 (1.544)								
HPV2R1-28	29.6 (1.620)	16 (2320)						1800 (1200)	750
HPV2R1-31	31.0 (1.892)								