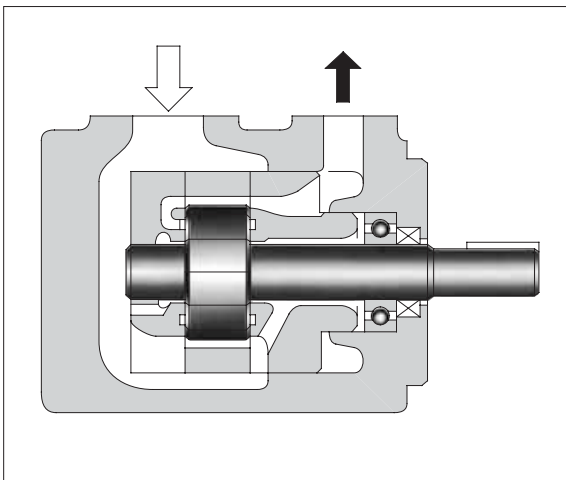
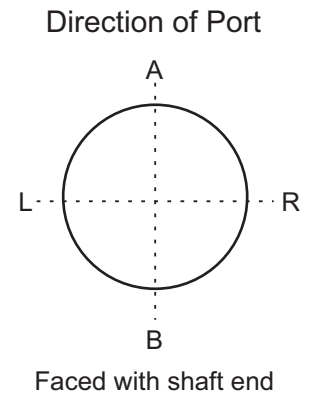


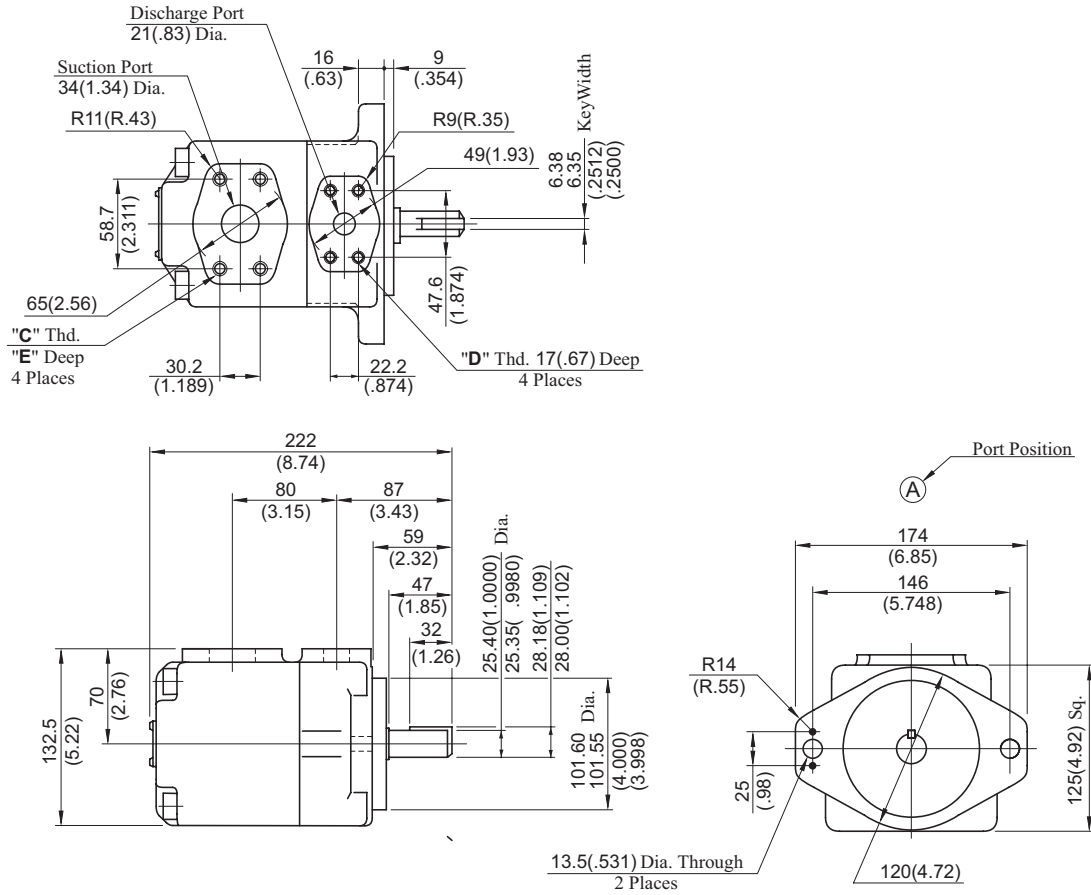
# “HPV2R” Series Single Vane Pumps



## • Model Number Designation

F-	HPV2R	-6	-F	-R	A	A	-60
Special Seals	Series Number	Nominal Displacement cm <sup>3</sup> /rev	Type of Mounting	Shaft Rotation	Discharge Port Position	Suction Port Position	Design Number
<b>F:</b> For phosphate ester type fluids (Omit if not required)	HPV2R1	4, 6, 8, 10, 12 14, 17, 19 23, 25, 28, 31	<b>F:</b> Flange Mounting	<b>R:</b> Clockwise (Normal)	<b>A:</b> Upwards (Normal)	<b>A:</b> Upwards (Normal)	<b>60</b>
	HPV2R2	26, 33, 41, 47 53, 59, 65		<b>60</b>			
	HPV2R3	52, 60, 66, 76, 94, 116, 125, 136, 153		<b>60</b>			
	HPV2R4	136, 153, 184 200, 237		<b>60</b>			

**HPV2R2-\* -F-RAA-60**



Model Numbers	"C" Thd.	"D" Thd.	E mm (Inches)
HPV2R2-* -F-RAA-60	7/16-14 UNC	7/16-14 UNC	20 (.79)

Model Numbers	Approx. Weight (kg)
HPV2R2	16.0

**Specifications**

Nominal Displacement cm <sup>3</sup> /rev	Max. Operating Pressure MPa (PSI)					
	Petroleum Base Oils		Water Containing Fluids			Synthetic Fluids
	Anti-Wear Type	R & O Type	Anti-Wear Type Water Glycols	Water Glycols	Water in Oil Emulsions	Phosphate Esters
26	21 (3050)	14 (2030)	16 (2320)	7 (1020)	7 (1020)	14 (2030)
33						
41						
47						
53						
59						
65						