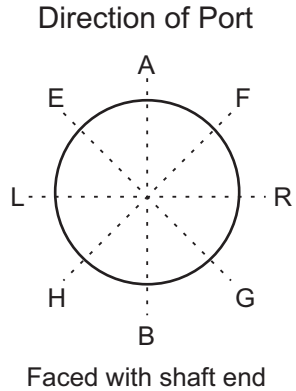
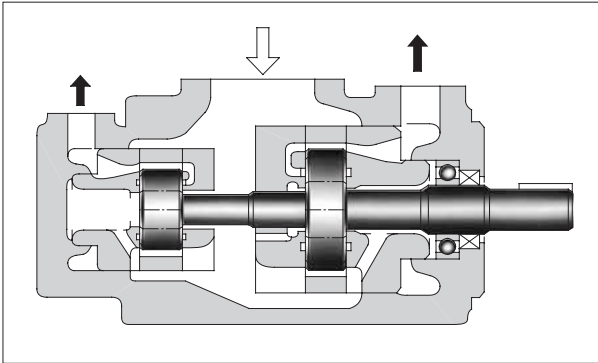


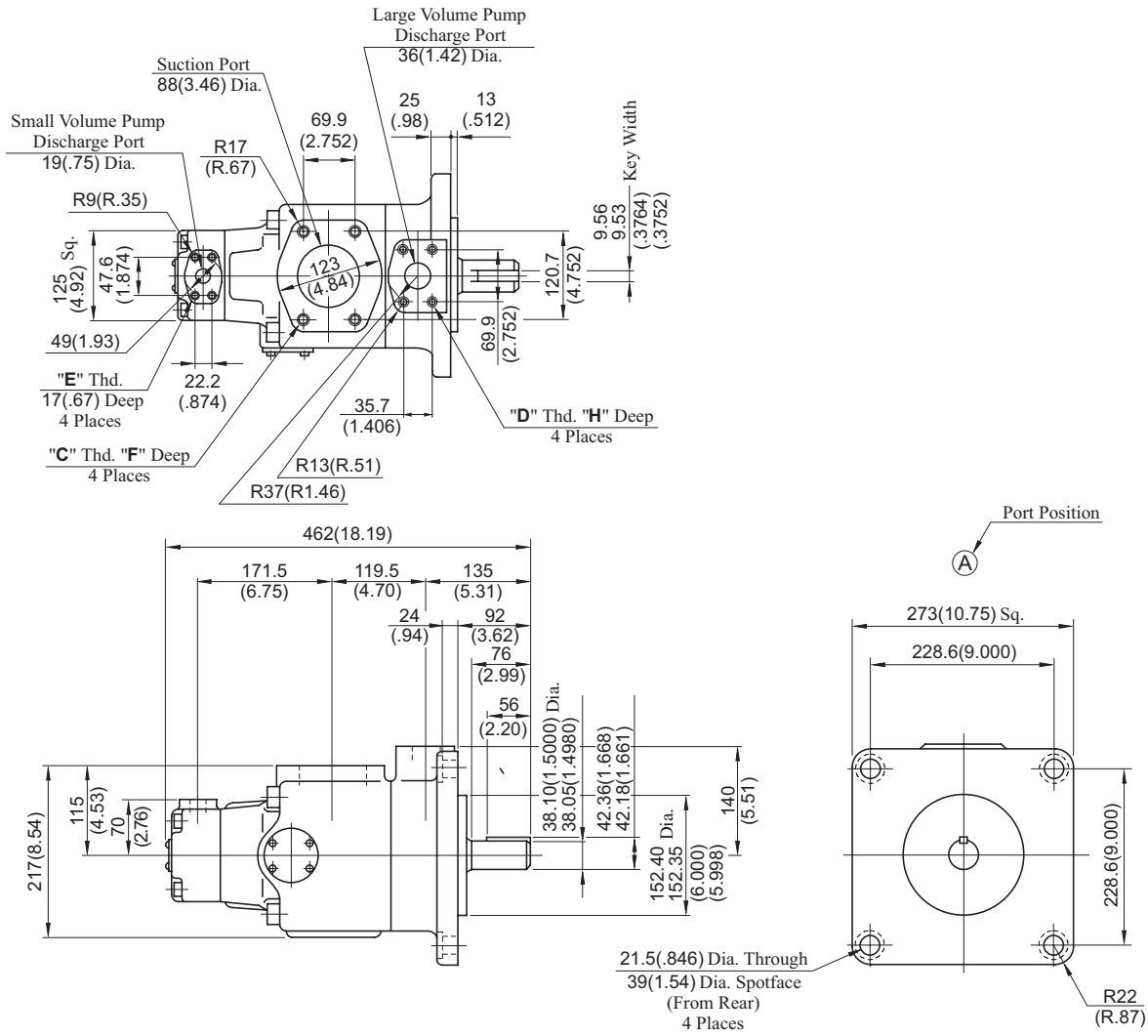
# "HPV2R" Series Double Vane Pumps



● **Model Number Designation**

| F-  | HPV2R13       | -6  | -76   | -F             | -R                              | A   | A   | A                             | -60           |    |                               |                               |    |                               |                               |    |                               |                               |    |                               |                               |    |
|---|---------------|---|---|----------------|---------------------------------|---|---|-------------------------------|---------------|----|-------------------------------|-------------------------------|----|-------------------------------|-------------------------------|----|-------------------------------|-------------------------------|----|-------------------------------|-------------------------------|----|
| Special Seals   | Series Number | Small Volume Pump Nominal Displacement cm <sup>3</sup> /rev | Large Volume Pump Nominal Displacement cm <sup>3</sup> /rev | Mounting       | Direction of Rotation           | Small Volume Pump Discharge Port Position | Large Volume Pump Discharge Port Position | Suction Port Position         | Design Number |    |                               |                               |    |                               |                               |    |                               |                               |    |                               |                               |    |
| <b>F:</b><br>Special seals for phosphate ester type fluids (Omit if not required) | HPV2R12       | 4, 6, 8<br>10, 12<br>14, 17<br>19, 23<br>25, 28, 31         | 26, 33<br>41, 47<br>53, 59<br>65                            | F: Flange Mtg. | <b>R:</b><br>Clockwise (Normal) | (Viewed from Shaft End)                   |   |                               | 60            |    |                               |                               |    |                               |                               |    |                               |                               |    |                               |                               |    |
|   | HPV2R13       | 4, 6, 8<br>10, 12<br>14, 17<br>19, 23<br>25, 28, 31         | 52, 60, 66<br>76, 94<br>116, 125<br>136, 153                |                |                                 | <b>A:</b><br>Upwards (Normal)             | <b>A:</b><br>Upwards (Normal)             | <b>A:</b><br>Upwards (Normal) |               | 60 |                               |                               |    |                               |                               |    |                               |                               |    |                               |                               |    |
|   | HPV2R23       | 26, 33<br>41, 47<br>53, 59<br>65                            | 52, 60, 66<br>76, 94<br>116, 125<br>136, 153                |                |                                 | <b>E:</b><br>Left 45°<br>Upwards (Normal) |   |                               |               |    | <b>A:</b><br>Upwards (Normal) | <b>A:</b><br>Upwards (Normal) | 60 |                               |                               |    |                               |                               |    |                               |                               |    |
|   | HPV2R33       | 52, 60, 66<br>76, 94, 116,<br>125, 136, 153                 | 52, 60, 66<br>76, 94, 116,<br>125, 136, 153                 |                |                                 | <b>A:</b><br>Upwards (Normal)             |   |                               |               |    |                               |                               |    | <b>A:</b><br>Upwards (Normal) | <b>A:</b><br>Upwards (Normal) | 60 |                               |                               |    |                               |                               |    |
|   | HPV2R14       | 4, 6, 8<br>10, 12<br>14, 17<br>19, 23<br>25, 28, 31         | 136, 153<br>184, 200<br>237                                 |                |                                 | <b>A:</b><br>Upwards (Normal)             |   |                               |               |    |                               |                               |    |                               |                               |    | <b>A:</b><br>Upwards (Normal) | <b>A:</b><br>Upwards (Normal) | 60 |                               |                               |    |
|   | HPV2R24       | 26, 33<br>41, 47<br>53, 59, 65                              |   |                |                                 | <b>E:</b><br>Left 45°<br>Upwards (Normal) |   |                               |               |    |                               |                               |    |                               |                               |    |                               |                               |    | <b>A:</b><br>Upwards (Normal) | <b>A:</b><br>Upwards (Normal) | 60 |
|   | HPV2R34       | 52, 60, 66<br>76, 94, 116,<br>125, 136, 153                 |   |                |                                 | <b>E:</b><br>Left 45°<br>Upwards (Normal) |   |                               |               |    |                               |                               |    |                               |                               |    |                               |                               |    |                               |                               |    |

**HPV2R24-\*-\*-F-REAA-60**



| Model Numbers         | "C" Thd. | "D" Thd. | "E" Thd. | Dimensions mm (Inches) |          |
|-----------------------|----------|----------|----------|------------------------|----------|
|                       |          |          |          | F                      | H        |
| HPV2R24-*-*-F-REAA-60 | M16      | M12      | M10      | 19 (.75)               | 19 (.75) |

| Model Numbers | Approx. Weight (kg) |
|---------------|---------------------|
| HPV2R24       | 78.1                |

**Specifications**

| Nominal Displacement<br>cm <sup>3</sup> /rev | Max. Operating Pressure MPa (PSI) |              |                              |               |                        |                  |
|--|-----------------------------------|--------------|------------------------------|---------------|------------------------|------------------|
|  | Petroleum Base Oils               |              | Water Containing Fluids      |               |                        | Synthetic Fluids |
|  | Anti-Wear Type                    | R & O Type   | Anti-Wear Type Water Glycols | Water Glycols | Water in Oil Emulsions | Phosphate Esters |
| 26   | 21<br>(3050)                      | 14<br>(2030) | 16<br>(2320)                 | 7<br>(1020)   | 7<br>(1020)            | 14<br>(2030)     |
| 33   |                                   |              |                              |               |                        |                  |
| 41   |                                   |              |                              |               |                        |                  |
| 47   |                                   |              |                              |               |                        |                  |
| 53   |                                   |              |                              |               |                        |                  |
| 59   |                                   |              |                              |               |                        |                  |
| 65   |                                   |              |                              |               |                        |                  |
| 136  | 17.5<br>(2540)                    | 14<br>(2030) | 16<br>(2320)                 | 7<br>(1020)   | 7<br>(1020)            | 14<br>(2030)     |
| 153  |                                   |              |                              |               |                        |                  |
| 184  |                                   |              |                              |               |                        |                  |
| 200  |                                   |              |                              |               |                        |                  |
| 237  |                                   |              |                              |               |                        |                  |