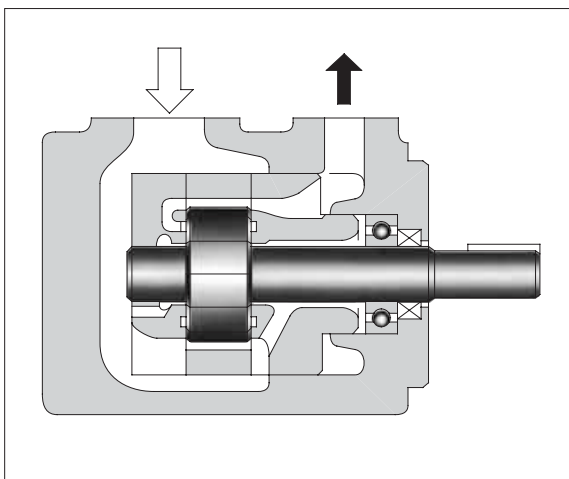
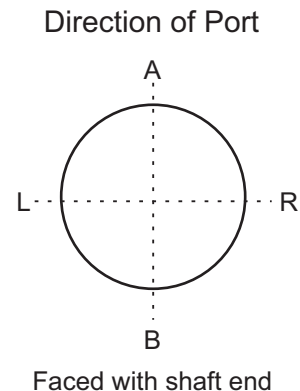


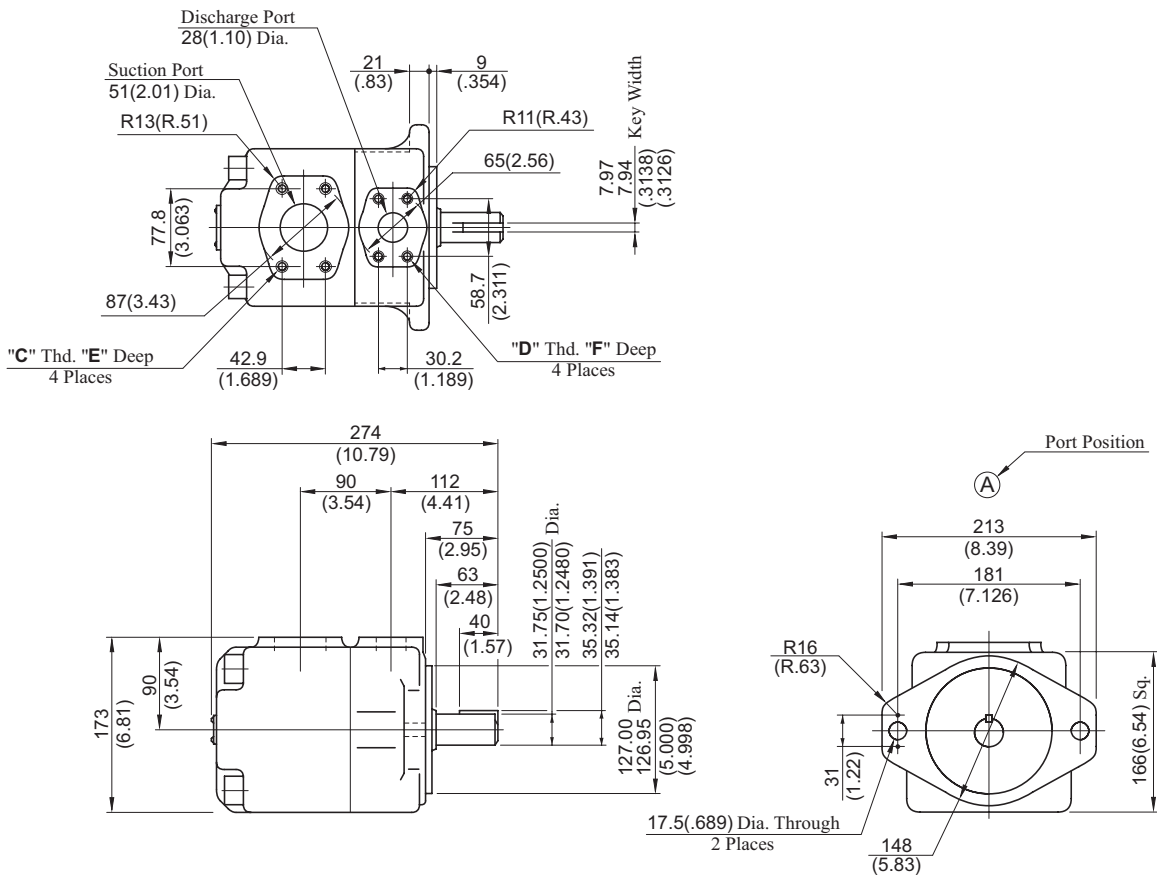
“HPV2R” Series Single Vane Pumps



• Model Number Designation

F-	HPV2R	-6	-F	-R	A	A	-60
Special Seals	Series Number	Nominal Displacement cm ³ /rev	Type of Mounting	Shaft Rotation	Discharge Port Position	Suction Port Position	Design Number
F: For phosphate ester type fluids (Omit if not required)	HPV2R1	4, 6, 8, 10, 12 14, 17, 19 23, 25, 28, 31	F: Flange Mounting	R: (Viewed from Shaft End) Clockwise (Normal) L: Anticlockwise	A: Upwards (Normal)	A: Upwards (Normal)	60
	HPV2R2	26, 33, 41, 47 53, 59, 65					60
	HPV2R3	52, 60, 66, 76, 94, 116, 125, 136, 153					60
	HPV2R4	136, 153, 184 200, 237					60

HPV2R3- *-F-RAA-60



Model Numbers	"C" Thd.	"D" Thd.	E & F mm (Inches)	
HPV2R3- *-F-RAA-60	1/2-13 UNC	7/6-14 UNC	21 (.83)	20 (.79)

Model Numbers	Approx. Weight (kg)
HPV2R3	32.0

Specifications

Nominal Displacement cm ³ /rev	Max. Operating Pressure MPa (PSI)					
	Petroleum Base Oils		Water Containing Fluids			Synthetic Fluids
	Anti-Wear Type	R & O Type	Anti-Wear Type Water Glycols	Water Glycols	Water in Oil Emulsions	Phosphate Esters
52	21 (3050)	14 (2030)	16 (2320)	7 (1020)	7 (1020)	14 (2030)
60						
66						
76						
94						
116	16 (2320)					
125						
136						
153						