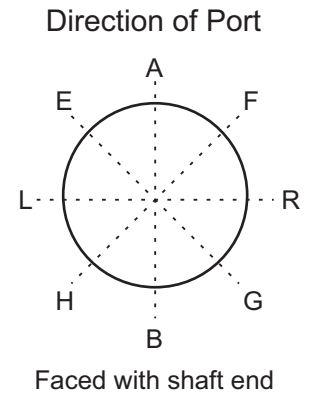
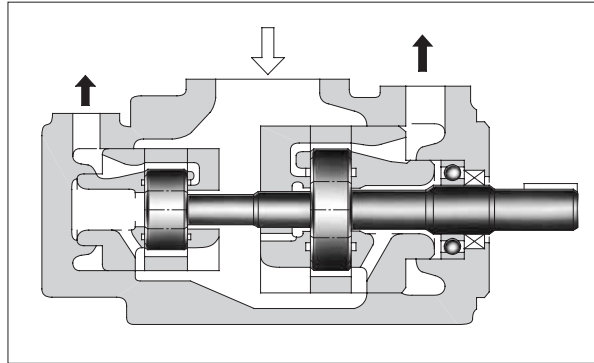


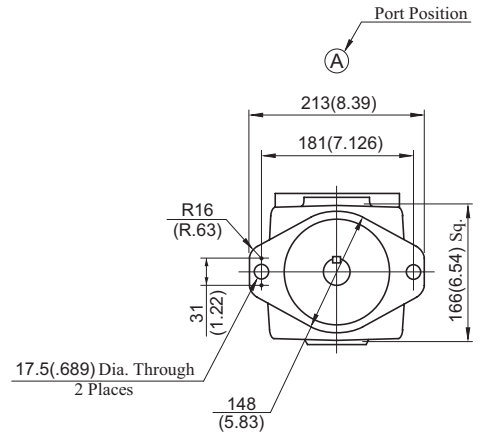
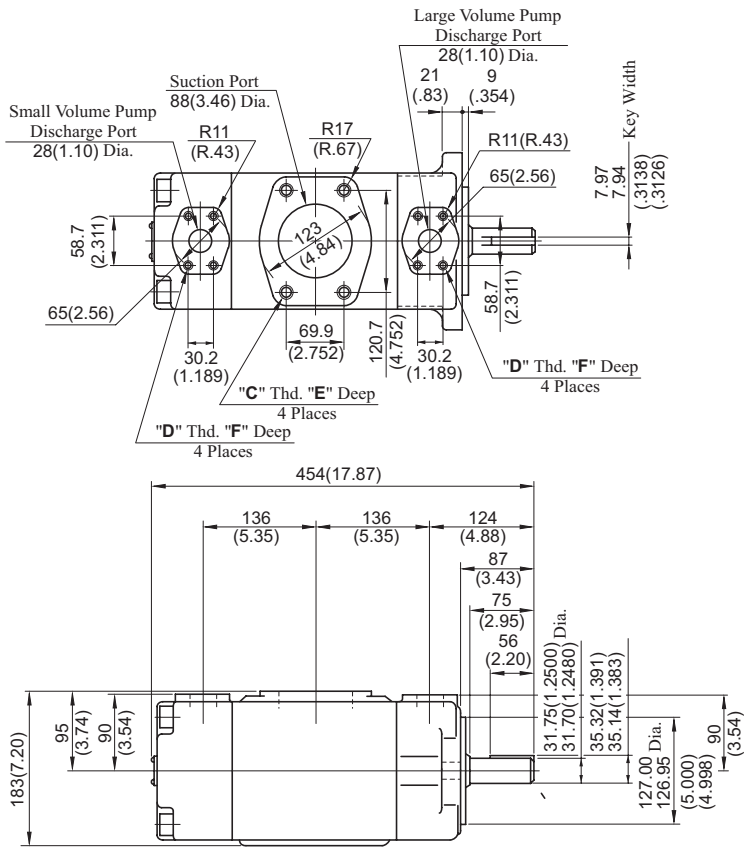
"HPV2R" Series Double Vane Pumps



• Model Number Designation

F-	HPV2R13	-6	-76	-F	-R	A	A	A	-60				
Special Seals	Series Number	Small Volume Pump Nominal Displacement cm ³ /rev	Large Volume Pump Nominal Displacement cm ³ /rev	Mounting	Direction of Rotation	Small Volume Pump Discharge Port Position	Large Volume Pump Discharge Port Position	Suction Port Position	Design Number				
F: Special seals for phosphate ester type fluids (Omit if not required)	HPV2R12	4, 6, 8 10, 12 14, 17 19, 23 25, 28, 31	26, 33 41, 47 53, 59 65	F: Flange Mtg.	R: Clockwise (Normal)	(Viewed from Shaft End)			60				
	HPV2R13	4, 6, 8 10, 12 14, 17 19, 23 25, 28, 31	52, 60, 66 76, 94 116, 125 136, 153			A: Upwards (Normal)	A: Upwards (Normal)	A: Upwards (Normal)		60			
	HPV2R23	26, 33 41, 47 53, 59 65	52, 60, 66 76, 94 116, 125 136, 153			E: Left 45° Upwards (Normal)					60		
	HPV2R33	52, 60, 66 76, 94, 116, 125, 136, 153	52, 60, 66 76, 94, 116, 125, 136, 153			A: Upwards (Normal)						60	
	HPV2R14	4, 6, 8 10, 12 14, 17 19, 23 25, 28, 31	136, 153 184, 200 237			A: Upwards (Normal)							60
	HPV2R24	26, 33 41, 47 53, 59, 65				60							
	HPV2R34	52, 60, 66 76, 94, 116, 125, 136, 153											

HPV2R33--F-REAA-60**



Model Numbers	"C" Thd.	"D" Thd.	Dimensions mm (Inches)	
			E	F
HPV2R33-**-F-REAA-60	M16	M10	19 (.75)	19 (.75)

Model Numbers	Approx. Weight (kg)
HPV2R33	84.1

Specifications

Nominal Displacement cm ³ /rev	Max. Operating Pressure MPa (PSI)					
	Petroleum Base Oils		Water Containing Fluids			Synthetic Fluids
	Anti-Wear Type	R & O Type	Anti-Wear Type Water Glycols	Water Glycols	Water in Oil Emulsions	Phosphate Esters
52	21 (3050)	14 (2030)	16 (2320)	7 (1020)	7 (1020)	14 (2030)
60						
66						
76						
94	16 (2320)					
116						
125						
136						
153	21 (3050)	14 (2030)	16 (2320)	7 (1020)	7 (1020)	14 (2030)
52						
60						
66						
76	16 (2320)					
94						
116						
125						
136	16 (2320)					
153						